



Features

- Center drain.
- Integral lumbar support.
- Coordinates with other products in the Escale collection.
- 72" (1829 mm) x 36" (914 mm) x 24-1/8" (613 mm)

Material

- Acrylic

Hydrotherapy

- 120 BubbleMassage™ airjets.
- Automatic purge cycles remove residual water from air channels after use.
- Built-in 300 W heater.

Installation

- Freestanding
- Two-piece design.

Required Accessories

K-7219 Bath Drain

Recommended Accessories

K-1601 Bath/Whirlpool Footstop
K-1676 Bath/Pillow
K-18486-4 Roman Bath Filler
K-18492 Floor-mount Riser Tubes
K-24916 Wireless Music Kit



Codes/Standards

ASME A112.19.7/CSA B45.10
CSA B45.5/IAPMO Z124
ASTM E162
ASTM E662
UL 1795
CSA C22.2 No. 218.2
Greenguard UL 2818 - Gold
CARB P2




KOHLER® One-Year Limited Warranty

See website for detailed warranty information.

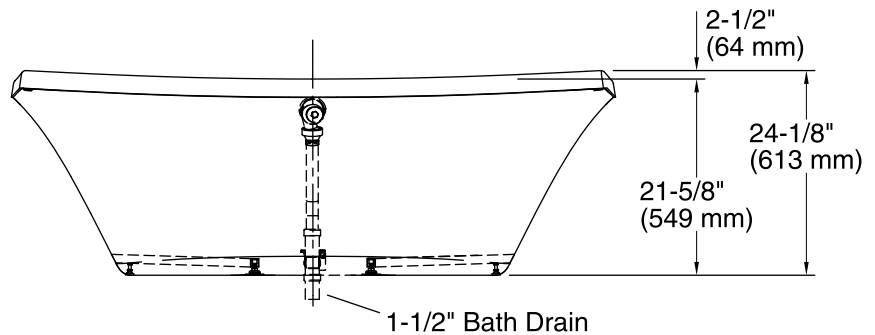
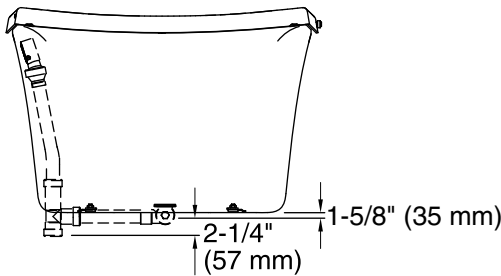
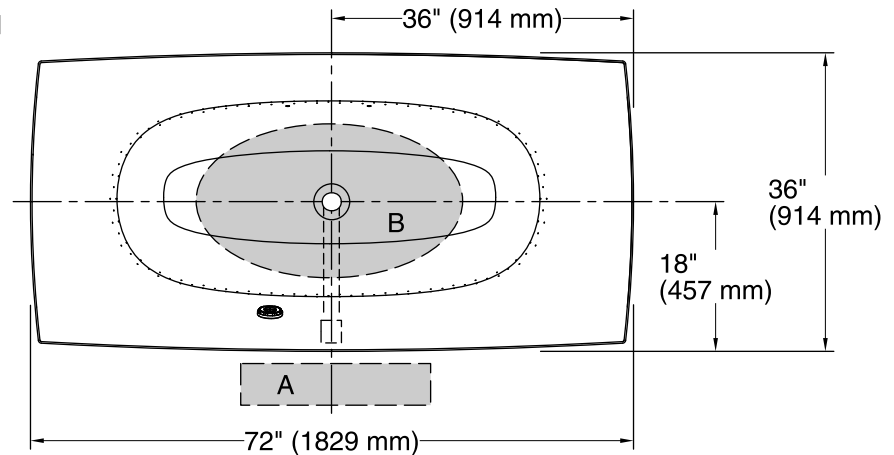
Available Color/Finishes

Color tiles intended for reference only.

Color	Code	Description
-------	------	-------------

	0	White
	96	Biscuit
	47	Almond

No change in measurements if connected with drain illustrated. (K-7219)



Required Electrical Service

One dedicated circuit required, protected with Class A Ground-Fault Circuit-Interrupter (GFCI) or Residual Current Device (RCD).

Blower: 120 V, 15 A, 60 Hz

Technical Information

All product dimensions are nominal.

Installation: Freestanding
 Drain location: Center
 Basin area, bottom: 46-3/4" x 21-5/8" (1187 mm x 549 mm)
 Basin area, top: 69-15/16" x 34-3/8" (1776 mm x 873 mm)
 Weight: 130 lbs (59 kg)
 Minimum floor load: 41.5 lbs/ft² (202.6 kg/m²)
 Water depth: 16-1/2" (419 mm)
 Water capacity: 71 gal (268.8 L)
 Electrical component rating: Blower: 120 V, 10 A, 60 Hz, 300 W

Notes

- Measure your actual product for rough-in details.
- Install this product according to the installation instructions.
- The hot water supply should be 70% of the capacity of the bath or greater. Installations will vary.
- Provide one grounded electrical outlet within 24" (610 mm) of each component.
- Blower motor requires remote installation.
- Relocate the blower motor and check valve together. Do not move one without the other.
- Provide access for servicing the blower.