

Features

- Metal construction.
- Quarter-turn washerless ceramic disc valves.
- Lever handles.
- Pop-up drain with tailpiece.
- For 4" (102 mm) centers.
- 4-3/4" (121 mm) spout reach.
- 1.5 gal/min (5.7 l/min) maximum flow rate [max at 60 psi (4.14 bar)].



ADA

Codes/Standards

ASME A112.18.1/CSA B125.1

NSF 61

NSF 372

All applicable US Federal and State material regulations

DOE - Energy Policy Act 1992

EPA WaterSense®

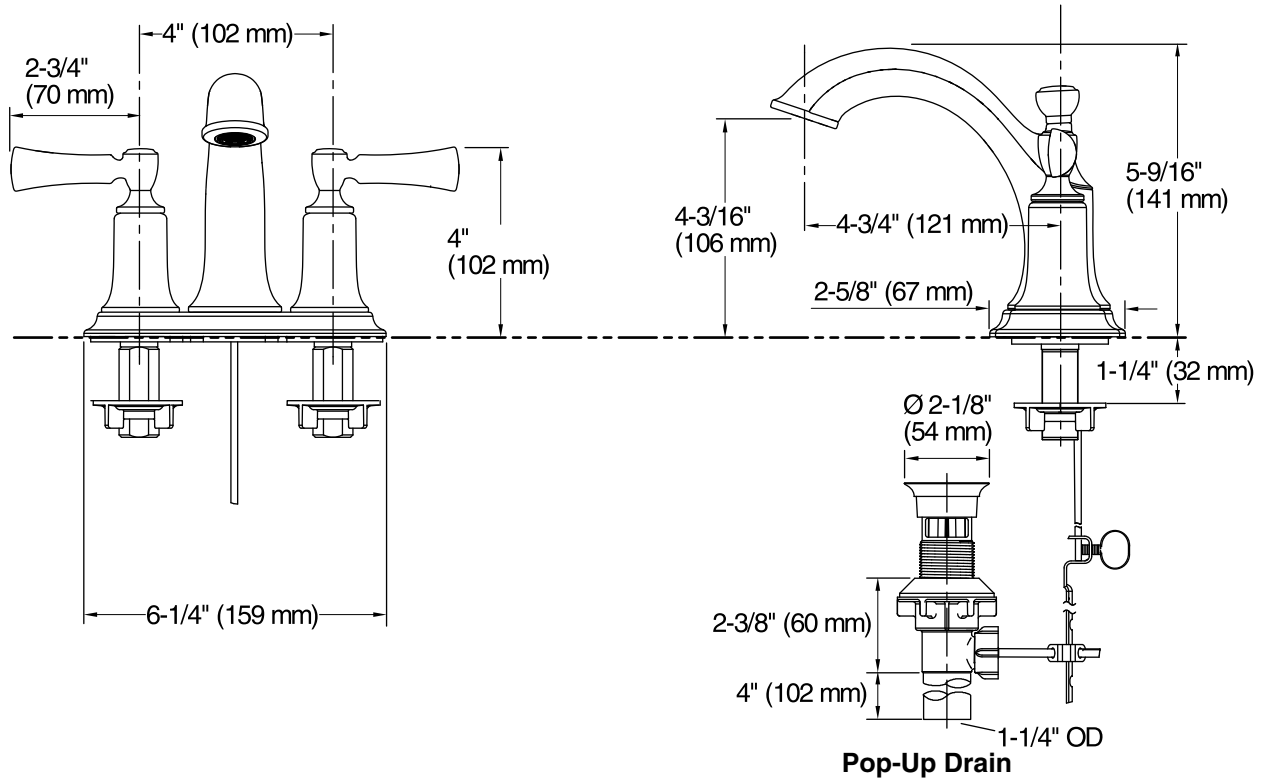
California Energy Commission (CEC)

ADA

ICC/ANSI A117.1

KOHLER® Faucet Lifetime Limited Warranty

See website for detailed warranty information.



Technical Information

All product dimensions are nominal.

Drain included: YES
Drain tailpiece included: YES

Spout:

Spout reach: 4-3/4" (121 mm)
Handle clearance: 2-3/4" (70 mm)

Faucet:

Flow rate: 1.5 gal/min (5.7 l/min)
Pressure: 60 psi (4.1 bar)

Notes

Install this product according to the installation guide.

ADA compliant when installed to the specific requirements of these regulations.