

Features

- For use with valves with a diverter
- Complements Pinstripe® Suite
- Grooved cross handle
- Requires a Rite-Temp® pressure-balancing valve

Material

- Premium material construction

Installation

- Wall-mount

Required Accessories

K-11748 Series Rite-Temp® Valves

Adapters, Rough-in and Extension Kits

1061794



ADA

Codes/Standards





ASME A112.18.1/CSA B125.1
ASSE 1016
ADA
ICC/ANSI A117.1

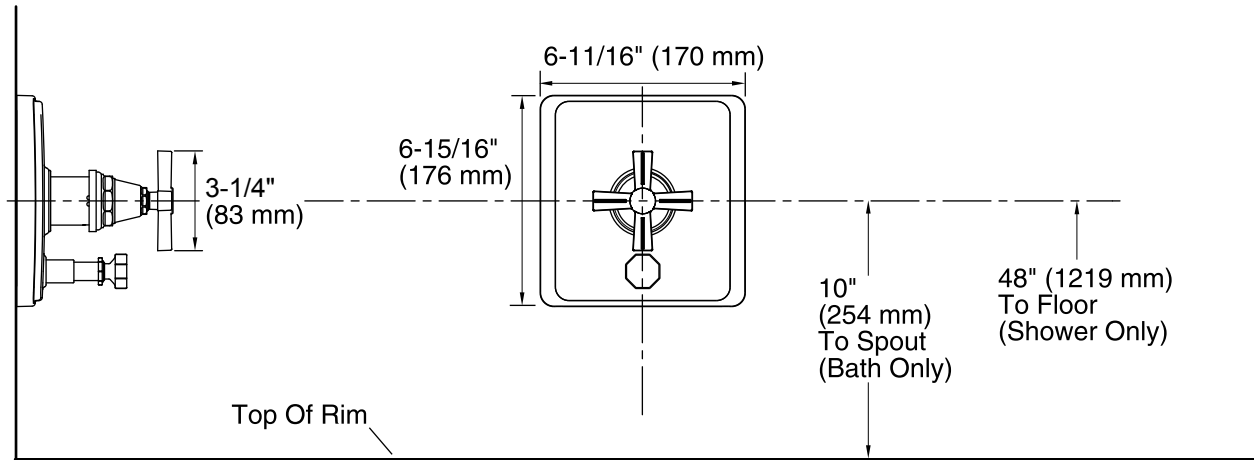
KOHLER® Faucet Lifetime Limited Warranty

See website for detailed warranty information.

Available Color/Finishes

Color tiles intended for reference only.

Color	Code	Description
	CP	Polished Chrome
	SN	Vibrant® Polished Nickel
	BN	Vibrant® Brushed Nickel
	BV	Vibrant® Brushed Bronze



Technical Information

All product dimensions are nominal.

Notes

Install this product according to the installation guide.

Avoid cross-flow conditions. Do not install shut-off device on either valve outlet.

Cap the shower outlet if deck-mount spout, diverter, or handshower is connected to the spout outlet.

Install straight pipe or tube drop of 7" (178 mm) to 18" (457 mm) with single elbow between the valve and wall-mount spout.

ADA compliant when installed to the specific requirements of these regulations.