

Features

- Frameless design highlights showering area.
- Innovative roller design simplifies installation and provides out-of-plumb adjustability.
- Frameless, 1/4" (6 mm) thick frosted tempered glass.
- Door tracking system features a hidden, cushioned, center guide for smooth, quiet sliding action.
- Smooth, easy-to-clean wall jambs.
- Contemporary vertical blade handles complete the look of this door.
- CleanCoat® technology creates a barrier between the water and glass to help keep your shower door looking new.

Material

- Anodized aluminum prevents rusting or corrosion.
- Tempered glass ensures maximum safety and durability.

Installation

- Out-of-plumb adjustability allows for simpler installation.
- Can be installed to open to the left or right.

Components

Additional included component/s: Hardware kit.



Codes/Standards

CPSC 16CFR 1201
ANSI Z97.1 (Tempered Glass)

KOHLER® One-Year Limited Warranty

See website for detailed warranty information.

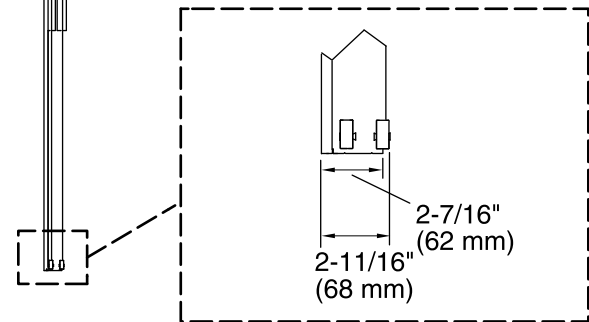
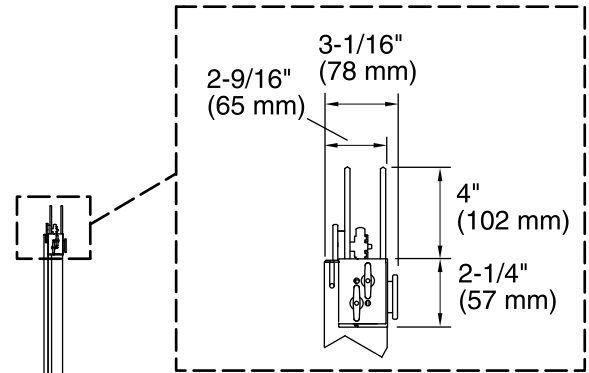
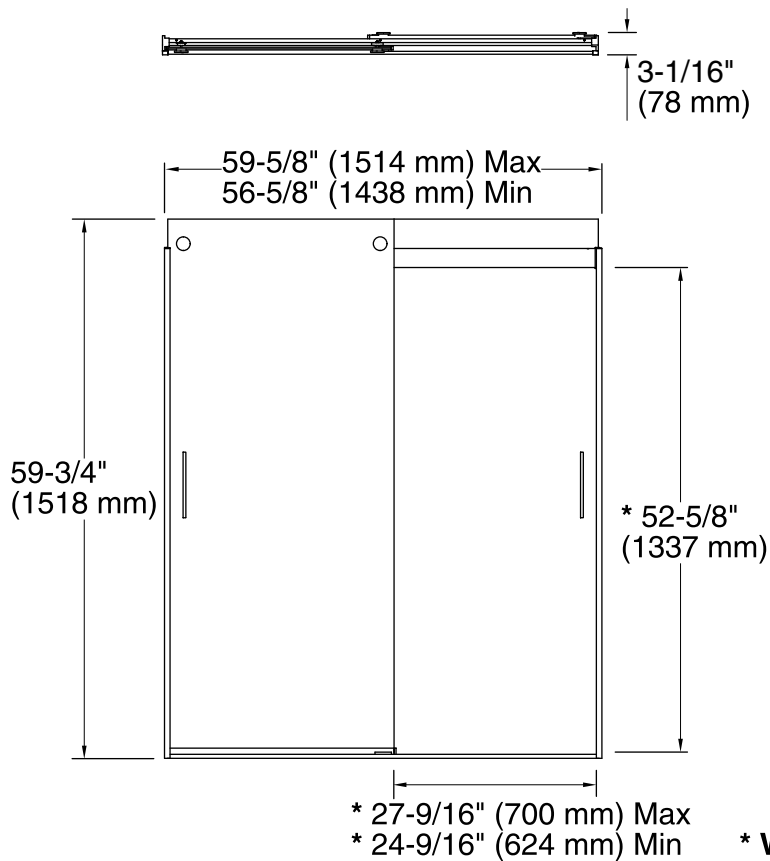
Available Color/Finishes

Color tiles intended for reference only.

| Color | Code | Description |
|--|------|-------------------------|
|  | SH | Bright Silver |
|  | MX | Matte Nickel |
|  | ABV | Anodized Brushed Bronze |
| | ABZ | Anodized Dark Bronze |

Available Glass Options

| Code | Description |
|------|-------------|
| D3 | Frosted |



*** Walk-through**

Technical Information

All product dimensions are nominal.

- Installation type: For bath installation
- Opening style: Sliding/Bypass
- Opening Width - Min: $56\text{-}\frac{5}{8}\text{''}$ (1438 mm)
- Opening Width - Max: $59\text{-}\frac{5}{8}\text{''}$ (1514 mm)
- Walk-through - Min: $24\text{-}\frac{9}{16}\text{''}$ (624 mm)
- Walk-through - Max: $27\text{-}\frac{9}{16}\text{''}$ (700 mm)
- Glass thickness: $\frac{1}{4}\text{''}$ (6 mm)
- Glass coating: CleanCoat®

Notes

Install this product according to the installation guide.

If replacing a shower door, the narrow wall jamb design of this door may not cover the existing shower door holes.

The vertical opening should be a minimum of $62\text{-}\frac{1}{4}\text{''}$ (1581 mm) to allow for installation clearance.