

Features

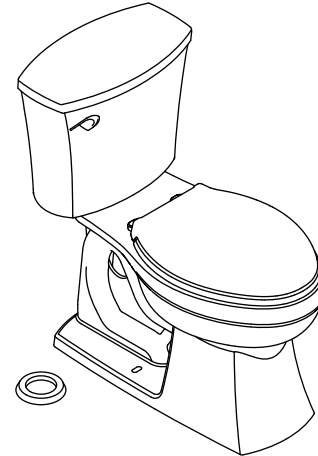
- Vitreous china
- Elongated bowl
- Comfort Height®
- Class Five® flushing system
- Quick-Attach™ Quick-Release™ toilet seat and cover
- Less supply
- 12" (305 mm) rough-in
- 1.28 gpf (4.8 lpf)
- 2-1/8" (54 mm) glazed trapway
- Includes seat, cover, wax ring, left-hand polished chrome trip lever, and floor hardware
- 11" (279 mm) x 8-3/4" (222 mm) water area
- 30" (762 mm) x 16-3/4" (425 mm) x 30-1/2" (775 mm)

THE COMPLETE SOLUTION® TOILET K-12767

ADA

CSA B651

OBC



Codes/Standards Applicable

Specified model meets or exceeds the following:

- ADA
- ICC/ANSI A117.1
- CSA B651
- OBC
- ASME A112.19.2/CSA B45.1
- EPA WaterSense®

Colors/Finishes

- 0: White
- Other: Refer to Price Book for additional colors/finishes

Accessories

- 0: White
- CP: Polished Chrome
- PB: Vibrant® Polished Brass
- Other: Refer to Price Book for additional colors/finishes

Specified Model

Model	Description	Trip Lever	Colors/Finishes
K-12767	The Complete Solution toilet	left-hand	<input type="checkbox"/> 0 <input type="checkbox"/> Other_____
Recommended Accessories			
K-7637	Angle supply with stop – 3/8" NPT	<input type="checkbox"/> CP <input type="checkbox"/> PB <input type="checkbox"/> Other_____	
Optional Accessories			
K-4650	Lustra™ elongated open-front toilet seat - for Accessibility compliance	<input type="checkbox"/> 0 <input type="checkbox"/> Other_____	

Product Specification

The elongated bowl toilet shall be made of vitreous china. Toilet shall be 30" (762 mm) in length, 16-3/4" (425 mm) in width, and 30-1/2" (775 mm) in height. Toilet shall have an 11" (279 mm) x 8-3/4" (222 mm) water area. Toilet shall be Comfort Height and features a 2-1/8" (54 mm) glazed trapway. Toilet shall feature the Class Five flushing system with 1.28 gpf (4.8 lpf). Toilet shall be for 12" (305 mm) rough-in. Toilet shall include Quick-Attach Quick-Release toilet seat with cover. Toilet shall include seat, cover, wax ring, left-hand polished chrome trip lever, and floor hardware. Toilet shall be less supply. Toilet shall be Kohler Model K-12767-_____.

ELLISTON®

Technical Information

Fixture:	
Configuration	two-piece, elongated
Water per flush	1.28 gpf (4.8 lpf)
Passageway	2-1/8" (54 mm)
Water area	11" (279 mm) x 8-3/4" (222 mm)
Water depth from rim	6" (152 mm)
Seat post hole centers	5-1/2" (140 mm)

Included components:	
Bowl	K-4306
Tank	K-5380
Tank cover	1211811
Trip lever, left-hand	1211810
Toilet seat	K-4774
Tank attachment kit	1016548
Bolt cap accessory pack	1013092
Wax ring and hardware installation kit	1023457

Installation Notes

Install this product according to the installation guide.

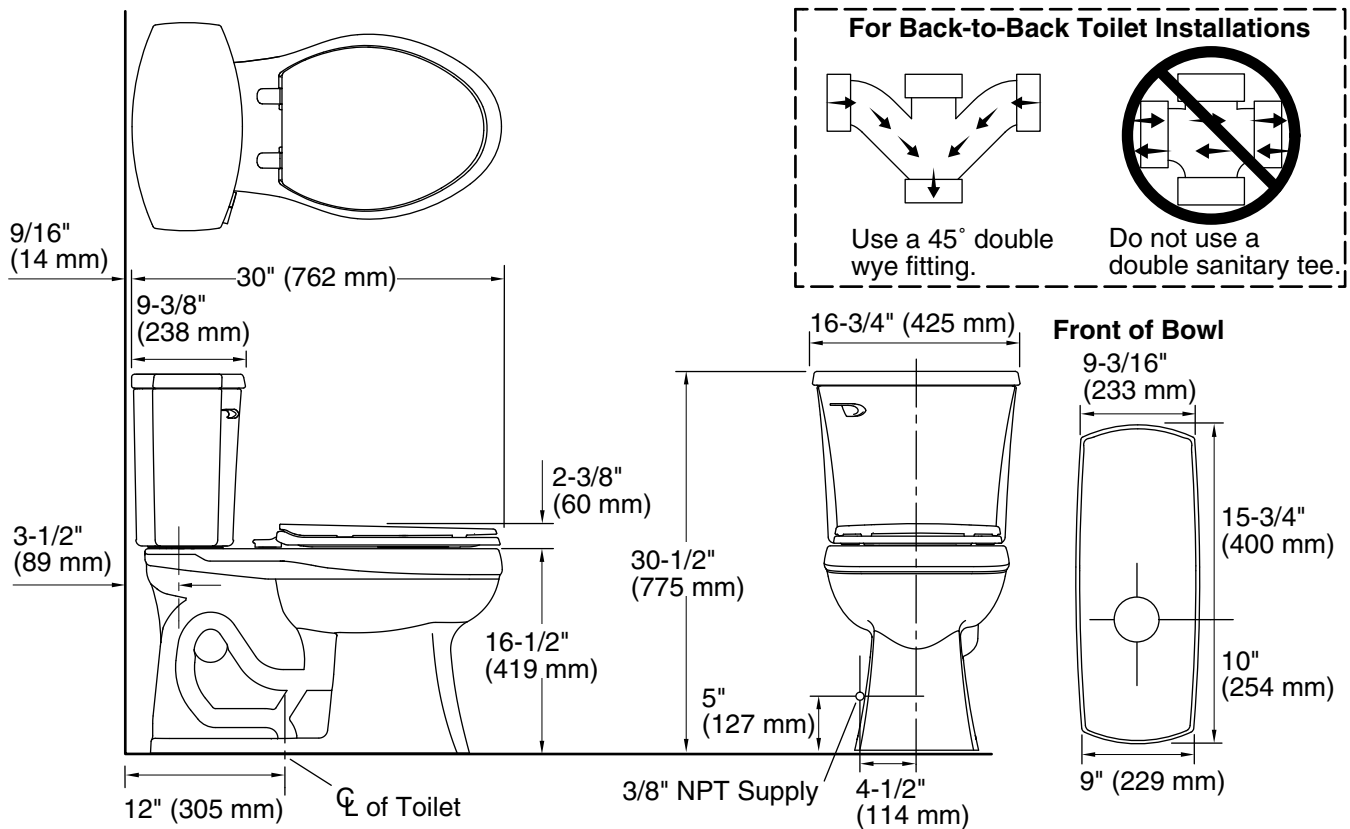
For back-to-back toilet installations: Use only a 45° double wye fitting.

Will comply with the American Disabilities Act (**ADA**) when installed per the requirements of the 2010 ADA Standards for Accessible Design, Section 604 Water Closets, of the Act. The Model Plumbing Codes require the installation of elongated open-front toilet seats in public bathrooms.

The model is acceptable for left-hand Accessible compartment installations only.

Will comply with **CSA B651** when installed per Clause 4.3.6 of the standard.

Will comply with **OBC** when installed per Clause 3.8.3.8 and 3.8.3.9.



Product Diagram