

Features

- Two-piece toilet.
- Elongated bowl offers added room and comfort.
- Comfort Height feature offers chair-height seating that makes sitting down and standing up easier for most adults..
- 1.28 gallons per flush (gpf).
- Standard left-hand trip lever included.
- Complete Solution toilets provide everything you need in one box, including one-piece toilet, seat, wax ring, and floor hardware.
- Supply line not included.
- Grip-Tight Glenbury™ Q3 toilet seat features innovative technology that prevents the seat from slamming, and simplifies both cleaning and installation.
- Available exclusively at Lowe's.

Technology

- Coordinates with other products in the Memoirs collection.
- AquaPiston canister allows water to flow into the bowl from all sides (360 degrees), increasing the power and effectiveness of the flush.
- Flush valve's 3:2 ratio harnesses the natural force of gravity and optimizes flush performance.
- Durable canister design has 90% less exposed seal material than a 3-inch flapper, for leak-free performance.
- Light-touch canister flush requires a lower actuation force than a flapper.

Installation

- Standard 12-inch rough-in.
- Three-bolt installation.

Water Conservation & Rebates

- WaterSense® toilets meet strict EPA flushing guidelines, using at least 20 percent less water than 1.6-gallon toilets.
- Eligible for consumer rebates in some municipalities.

Recommended Accessories

- K-4650 Toilet Seat
- K-7637 Angle Supply with Stop (single)

Optional Accessories

- K-9169-L Trip lever

Components

Additional included component/s: Tank cover, Trip lever, Toilet seat, Bolt cap accessory pack, Wax ring and hardware installation kit, Bowl, and Tank.



ADA CSA B651 OBC

Codes/Standards

ASME A112.19.2/CSA B45.1
EPA WaterSense®
ADA
ICC/ANSI A117.1
CSA B651
OBC

KOHLER® One-Year Limited Warranty

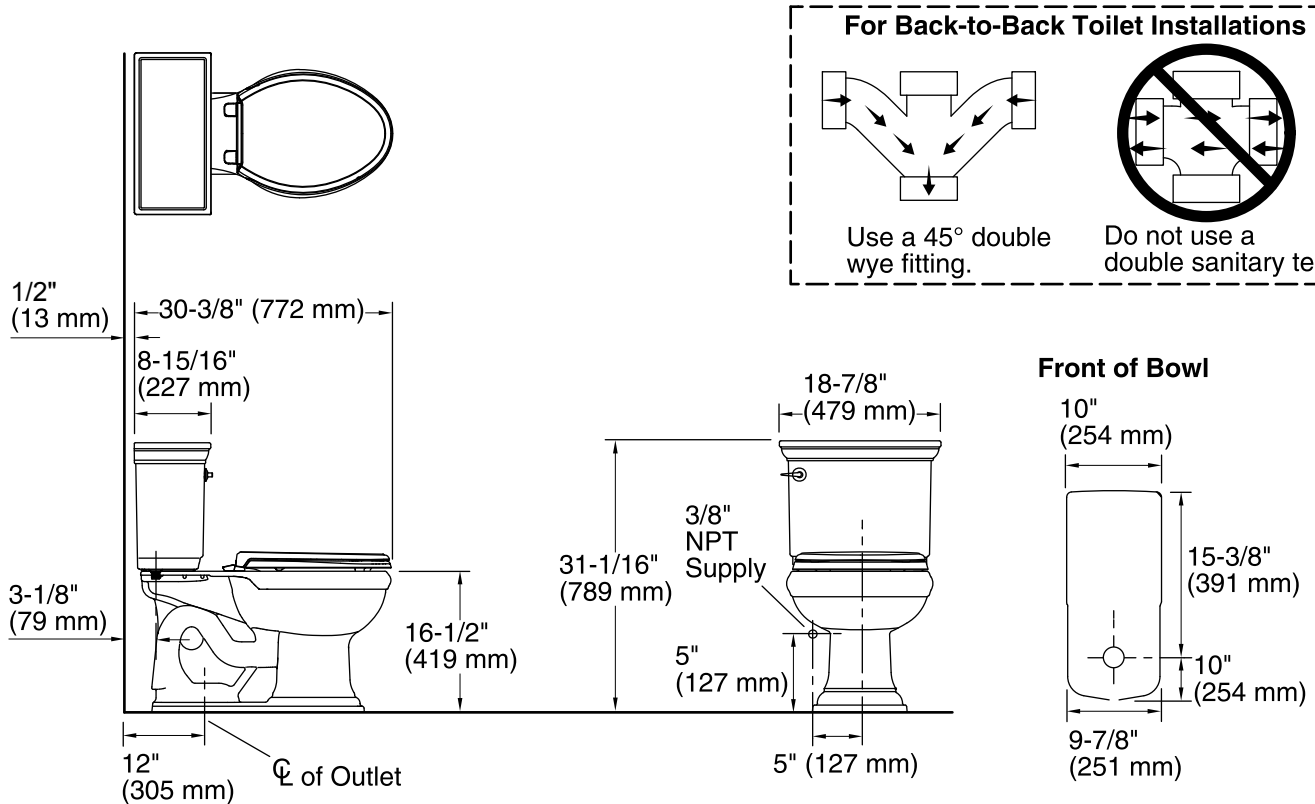
See website for detailed warranty information.

Available Color/Finishes

Color tiles intended for reference only.

Color	Code	Description
-------	------	-------------

	0	White
--	---	-------



Technical Information

All product dimensions are nominal.

Toilet type:	Two-piece
Bowl shape:	Elongated front
Trap passageway:	2-1/8" (54 mm)
Water surface size:	11-3/4" x 9-1/2" (298 mm x 241 mm)
Rim to water surface:	6-1/8" (156 mm)
Rough-in:	12" (305 mm)
Seat-mounting holes:	5-1/2" (140 mm)

Notes

Install this product according to the installation instructions.

For back-to-back-toilet installations: Use only a 45° double wye fitting.

The Model Plumbing Codes require the installation of elongated open-front toilet seats in public bathrooms.

The model is acceptable for left-hand Accessible compartment installations only.

Will comply with CSA B651 when installed per Clause 4.3.6 of the standard.

Fixture conforms to ASME Standard A112.19.2/CSA B45.1. All dimensions are nominal.

ADA, OBC, CSA B651 compliant when installed to the specific requirements of these regulations.

The Model Plumbing Codes require the installation of elongated open-front toilet seats on public bathrooms.