

### Features

- Inside and outside solid-brass pull handles.
- CleanCoat® technology creates a barrier between the water and glass to help keep your shower door looking new.
- Frameless, 1/4" (6 mm) thick Crystal Clear tempered glass door.
- Frameless design emphasizes glass and creates a sleek, minimalist look.
- Two-roller compression latches allow for smooth secure door closure.

### Material

- Anodized aluminum hardware prevents rusting or corrosion.

### Installation

- Out-of-plumb adjustability allows for simpler installation.
- Can be installed to open to the left or right.
- No top header eliminates clearance issues.

### Components

Additional included component/s: Hardware Kit.



### Codes/Standards

ANSI Z97.1 (Tempered Glass)  
CPSC 16CFR 1201

### KOHLER® One-Year Limited Warranty

See website for detailed warranty information.

### Available Color/Finishes

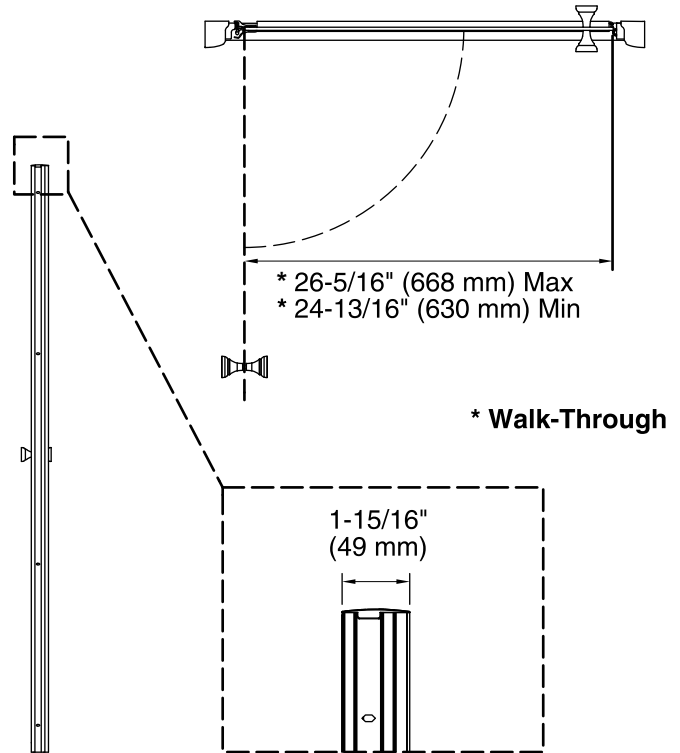
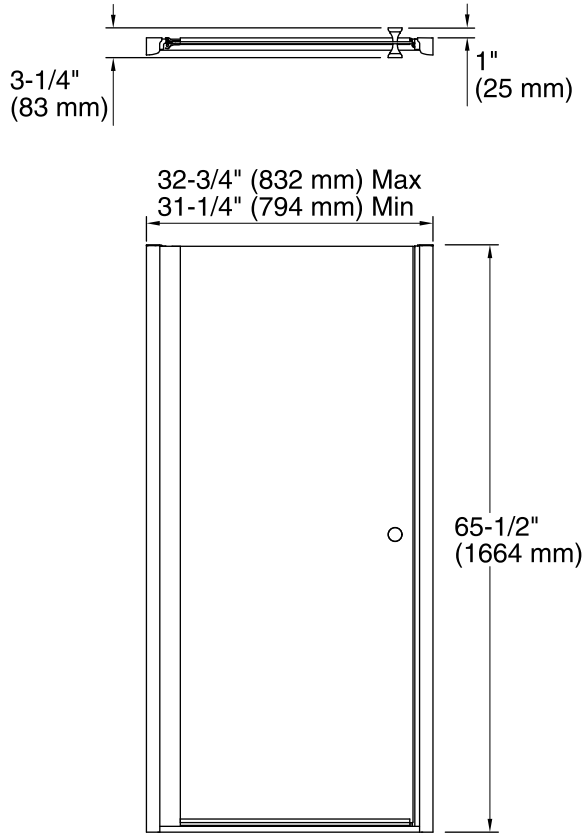
*Color tiles intended for reference only.*

Color	Code	Description
	SH	Bright Silver
	MX	Matte Nickel
	DR	Deep Bronze

### Available Glass Options

Code	Description
------	-------------

Crystal Clear



### Technical Information

All product dimensions are nominal.

Installation type: For shower base installation

Opening style: Pivot

Opening Width - Min: 31-1/4" (794 mm)

Opening Width - Max: 32-3/4" (832 mm)

Walk-through - Min: 24-13/16" (630 mm)

Walk-through - Max: 26-5/16" (668 mm)

Glass thickness: 1/4" (6 mm)

Glass coating: CleanCoat®

### Notes

Install this product according to the installation guide.