



A KOHLER COMPANY

60" x 30" Medley™ AFD Bath/Shower with Backer Boards 71370118

Ensemble™



Features

- Modular design allows it to be moved around corners and through doorways with ease.
- Durable high gloss finish.
- Innovative Dry-Block™ seal and channeled water containment system form watertight seams.
- Clean, contemporary design with ample shelving.
- 2" (51 mm) wainscot/tile ledge.
- Above-floor-drain (AFD) rough-in.
- 18-3/4" (476 mm) bath depth (floor to top of threshold).
- 60" (1524 mm) x 30-1/4" (768 mm) x 75-3/4" (1924 mm) complete unit rough-in dimensions include flange.

Material

- Compression molded from our exclusive solid Vikrell® material.

Installation

- Tongue-and-groove four piece modular design allows for easy snap together installation.
- Caulk-free installation.
- Wall surround includes backer boards for future grab bar installation.

Components

Product includes:

- 71374106 60"x 30" Medley™ Bath/Shower Wall Set w/Backer Boards
- 71171112 30" AFD Bath



Codes/Standards



- CSA B45.5/IAPMO Z124
- ASTM E162
- ASTM E662
- Greenguard UL 2818 - Gold
- HUD, UM Bulletin 73

STERLING® Warranty - Fixtures Made of Solid Vikrell Material

See website for detailed warranty information.

Available Color/Finishes

Color tiles intended for reference only.

Color	Code	Description
	0	White
	96	KOHLER Biscuit

USA/Canada: 1-800-STERLING (1-800-783-7546)

Kohler Co. reserves the right to make revisions without notice to product specifications.

For the most current Specification Sheet, go to www.sterlingplumbing.com.

8-31-2017 05:06

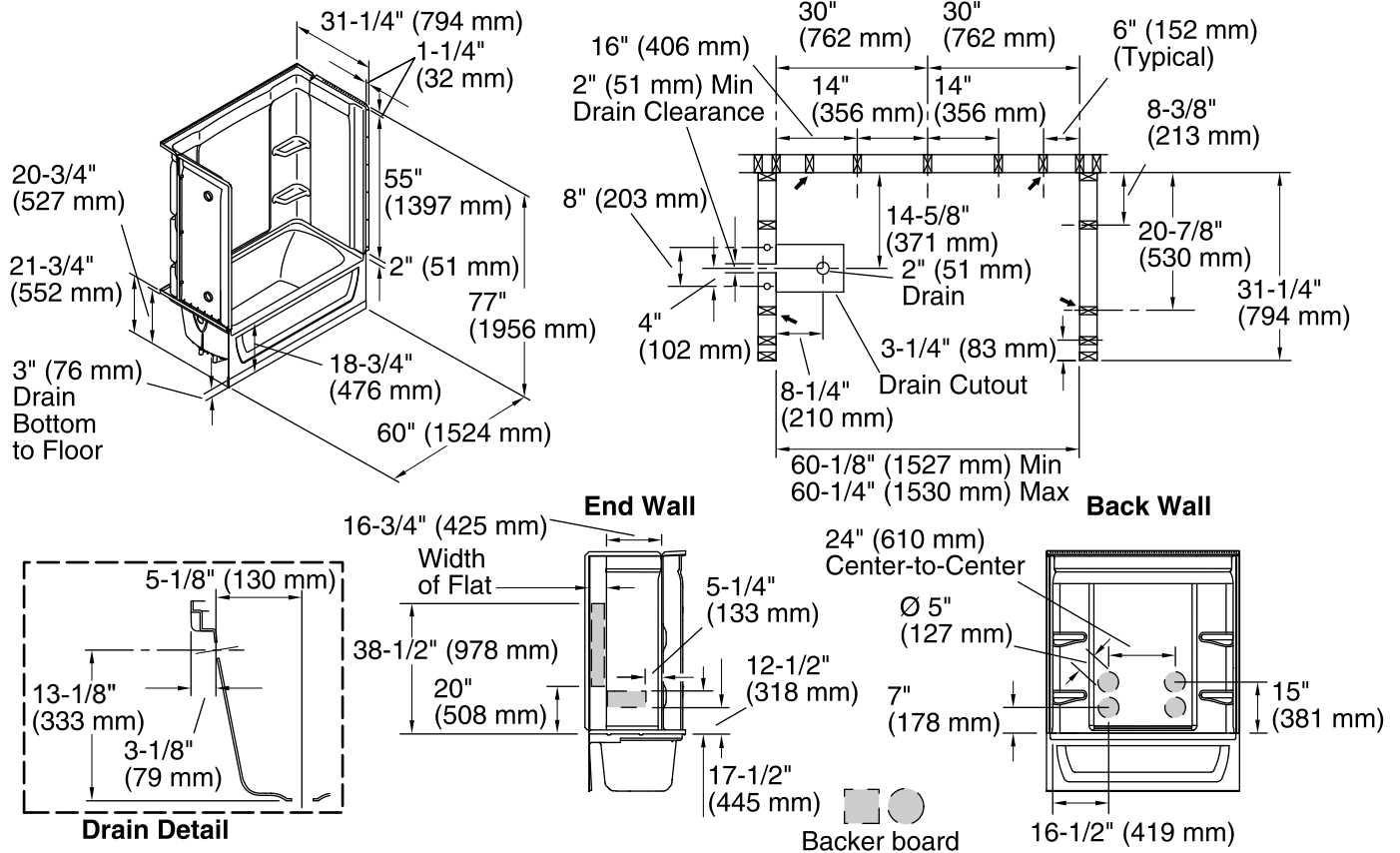
STERLING

A KOHLER COMPANY

Ensemble™

60" x 30" Medley™ AFD Bath/Shower with Backer Boards

71370118



Technical Information

All product dimensions are nominal.

Installation: 3-Wall Alcove

Drain location: Left

Basin area, bottom: 45" x 20" (1143 mm x 508 mm)

Basin area, top: 53" x 23" (1346 mm x 584 mm)

Water depth: 11-1/4" (286 mm)

Water capacity: 44 gal (166.6 L)

Minimum flat for door: 2-3/4" (70 mm)

Door height required: 56-3/4" (1441 mm)

Door width required: 57-11/16" (1465 mm)

Notes

Install this product according to the installation instructions.

Double studding is recommended for pivot shower door installations.

Attach grab bars at the specified backer board locations only.

Studs should be positioned roughly as shown.

USA/Canada: 1-800-STERLING (1-800-783-7546)

Kohler Co. reserves the right to make revisions without notice to product specifications.

For the most current Specification Sheet, go to www.sterlingplumbing.com.

8-31-2017 05:06