



Ensemble™ Medley®

60" x 30" AFD Bath/Shower w/Backer Boards

71370128



Features

- Modular design allows it to be moved around corners and through doorways with ease.
- Durable high gloss finish.
- Innovative Dry-Block™ seal and channeled water containment system form watertight seams.
- Clean, contemporary design with ample shelving.
- 2" (51 mm) wainscot/tile ledge.
- Above-floor-drain (AFD) rough-in.
- 18-3/4" (476 mm) bath depth (floor to top of threshold).
- 60" (1524 mm) x 30-1/4" (768 mm) x 75-3/4" (1924 mm) complete unit finished dimensions.

Material

- Compression molded from our exclusive solid Vikrell® material.

Installation

- Tongue-and-groove four piece modular design allows for easy snap together installation.
- Caulk-free installation.
- Wall surround includes backer boards for future grab bar installation.

Components

Product includes:

- 71374106 60"x 30" Medley™ Bath/Shower Wall Set w/Backer Boards
- 71171122 30" AFD Bath



Codes/Standards



CSA B45.5/IAPMO Z124
ASTM E162
ASTM E662
Greenguard UL 2818 - Gold
HUD, UM Bulletin 73

STERLING® Warranty - Fixtures Made of Solid Vikrell Material

See website for detailed warranty information.

Available Color/Finishes

Color tiles intended for reference only.

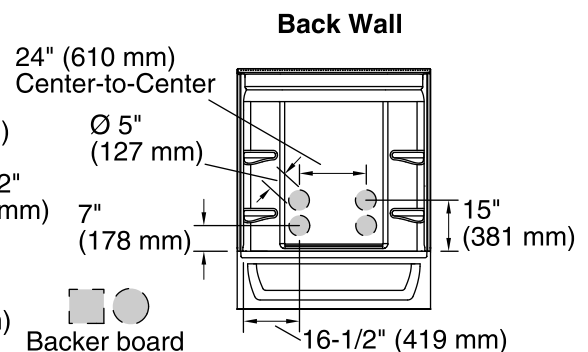
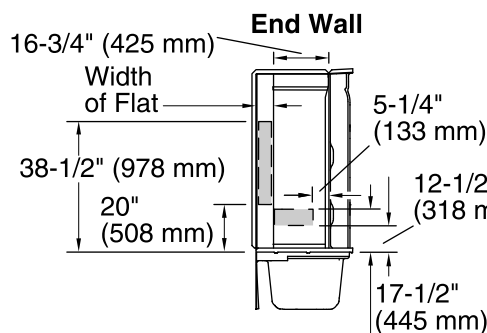
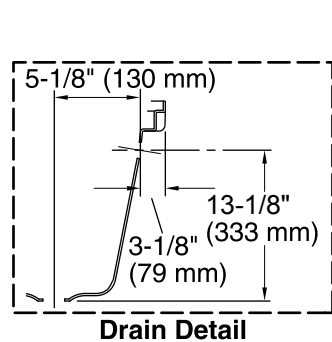
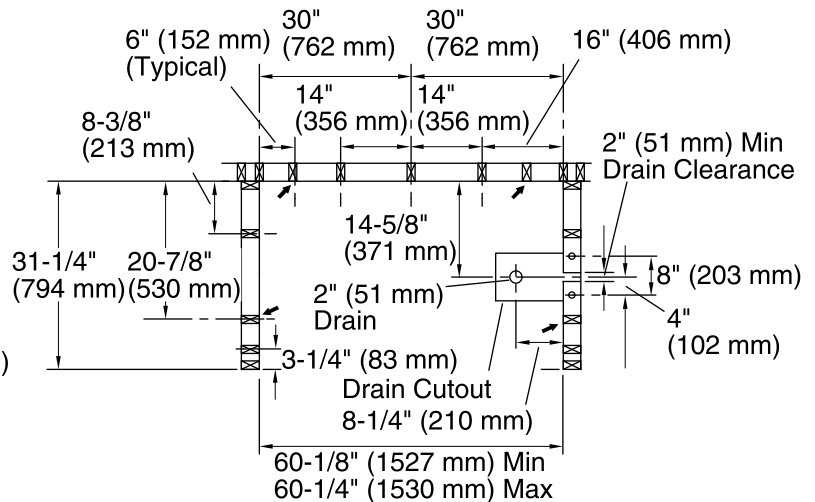
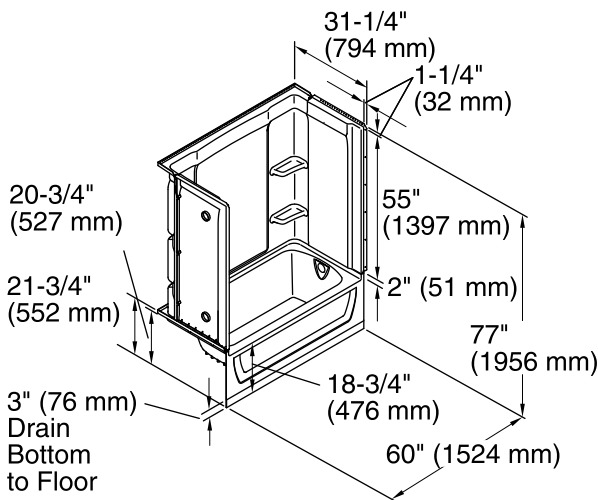
Color	Code	Description
	0	White
	96	KOHLER Biscuit

USA/Canada: 1-800-STERLING (1-800-783-7546)

Kohler Co. reserves the right to make revisions without notice to product specifications.

For the most current Specification Sheet, go to www.sterlingplumbing.com.

9-4-2017 03:03



Technical Information

All product dimensions are nominal.

Installation: 3-Wall Alcove

Drain location: Right

Basin area, bottom: 45" x 20" (1143 mm x 508 mm)

Basin area, top: 53" x 23" (1346 mm x 584 mm)

Water depth: 11-1/4" (286 mm)

Water capacity: 44 gal (166.6 L)

Minimum flat for door: 2-3/4" (70 mm)

Door height required: 56-3/4" (1441 mm)

Door width required: 57-11/16" (1465 mm)

Notes

Install this product according to the installation instructions.

Studs should be positioned roughly as shown.

Double studding is recommended for pivot shower door installations.

Attach grab bars at the specified backer board locations only.