



# Ensemble™ Medley®

## 60" x 32" Bath/Shower w/Backer Boards

### 71320116



#### Features

- Modular design allows it to be moved around corners and through doorways with ease.
- Durable high gloss finish.
- Innovative Dry-Block™ seal and channeled water containment system form watertight seams.
- Clean, contemporary design with ample shelving.
- 2" (51 mm) wainscot/tile ledge.
- 18" (457mm) bath depth (floor to top of threshold).
- 60" (1524 mm) x 32" (813 mm) x 75" (1905 mm) complete unit finished dimensions.

#### Material

- Compression molded from our exclusive solid Vikrell® material.

#### Installation

- Tongue-and-groove four piece modular design allows for easy snap together installation.
- Caulk-free installation.
- Wall surround includes backer boards for future grab bar installation.

#### Components

Product includes:

71324106 60"x32" Medley™ Wall Set w/ Backer Boards

71121110 32" (813 mm) Bath



#### Codes/Standards

CSA B45.5/IAPMO Z124

ASTM E162

ASTM E662

Greenguard UL 2818 - Gold

HUD, UM Bulletin 73



#### STERLING® Warranty - Fixtures Made of Solid Vikrell Material

See website for detailed warranty information.

#### Available Color/Finishes

*Color tiles intended for reference only.*

Color	Code	Description
-------	------	-------------

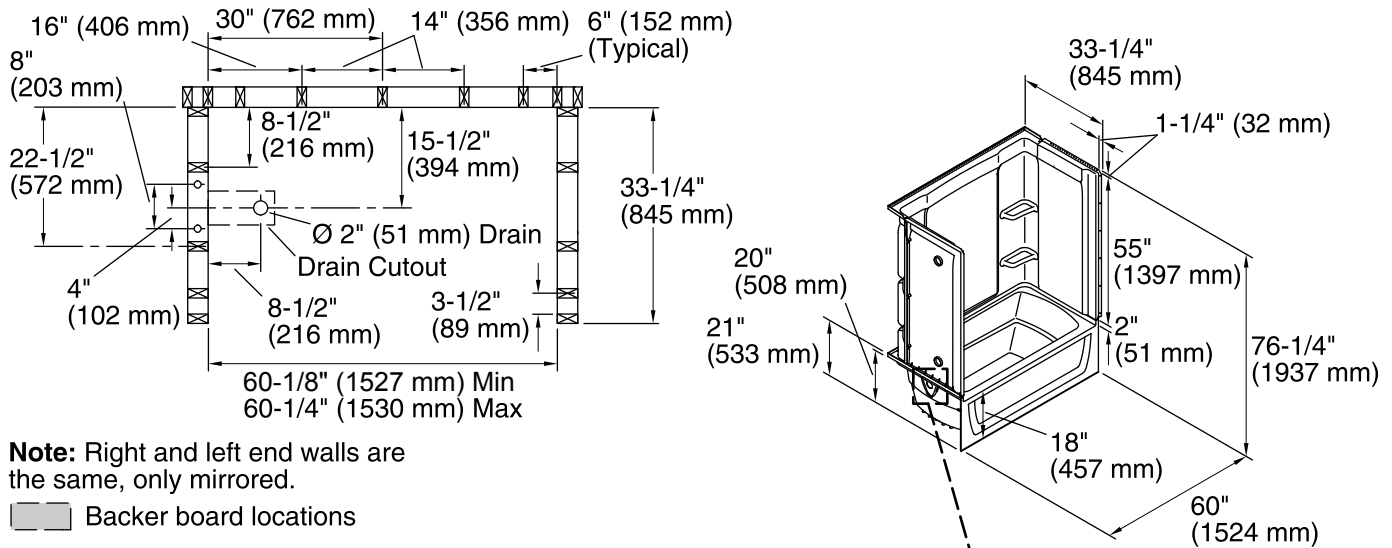
	0	White
	96	KOHLER Biscuit

USA/Canada: 1-800-STERLING (1-800-783-7546)

Kohler Co. reserves the right to make revisions without notice to product specifications.

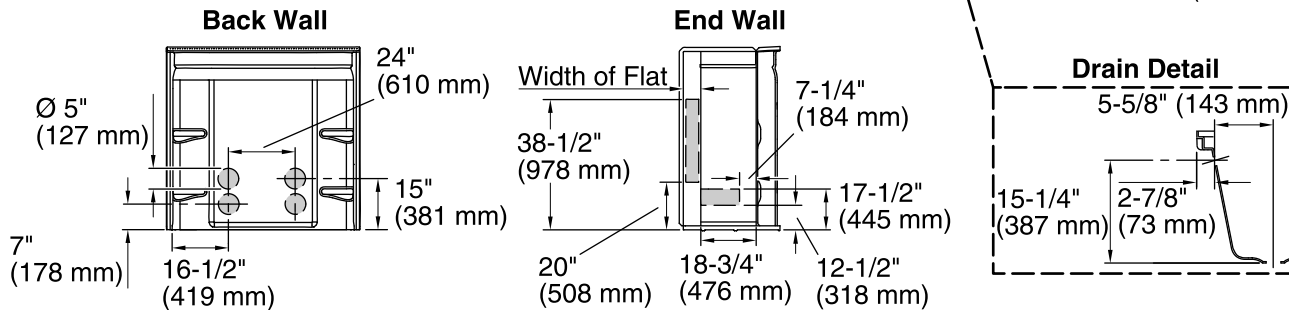
For the most current Specification Sheet, go to [www.sterlingplumbing.com](http://www.sterlingplumbing.com).

9-4-2017 03:02



**Note:** Right and left end walls are the same, only mirrored.

Backer board locations



### Technical Information

All product dimensions are nominal.

Installation: 3-Wall Alcove

Drain location: Left

Basin area, bottom: 42" x 20" (1067 mm x 508 mm)

Basin area, top: 54" x 26" (1372 mm x 660 mm)

Water depth: 13-3/4" (349 mm)

Water capacity: 55 gal (208.2 L)

Door height required: 56-3/4" (1441 mm)

Door width required: 57-11/16" (1465 mm)

### Notes

Install this product according to the installation instructions.

Studs should be positioned as shown.

Double studding is recommended for pivot shower door installations.

Attach grab bars at the specified backer board locations only.