



# Ensemble™ Medley®

## 60"x32" AFD Bath/Shower w/Backer Boards

### 71320118



### Features

- Modular design allows it to be moved around corners and through doorways with ease.
- Durable high gloss finish.
- Innovative Dry-Block™ seal and channeled water containment system form watertight seams.
- Clean, contemporary design with ample shelving.
- 2" (51 mm) wainscot/tile ledge.
- Above-floor-drain (AFD) rough-in.
- Wall surround includes backer boards for future grab bar installation.
- 20" (508mm) bath depth (floor to top of threshold).
- 60" (1524 mm) x 32" (813 mm) x 77" (1956 mm) complete unit finished dimensions.



### Material

- Compression molded from our exclusive solid Vikrell® material.

### Installation

- Tongue-and-groove four piece modular design allows for easy snap together installation.
- Caulk-free installation.

### Components

Product includes:

- 71324106 60"x32" Medley™ Wall Set w/ Backer Boards
- 71121112 32" (813 mm) AFD Bath

### Codes/Standards



CSA B45.5/IAPMO Z124  
ASTM E162  
ASTM E662  
Greenguard UL 2818 - Gold  
HUD, UM Bulletin 73

### STERLING® Warranty - Fixtures Made of Solid Vikrell Material

See website for detailed warranty information.

### Available Color/Finishes

*Color tiles intended for reference only.*

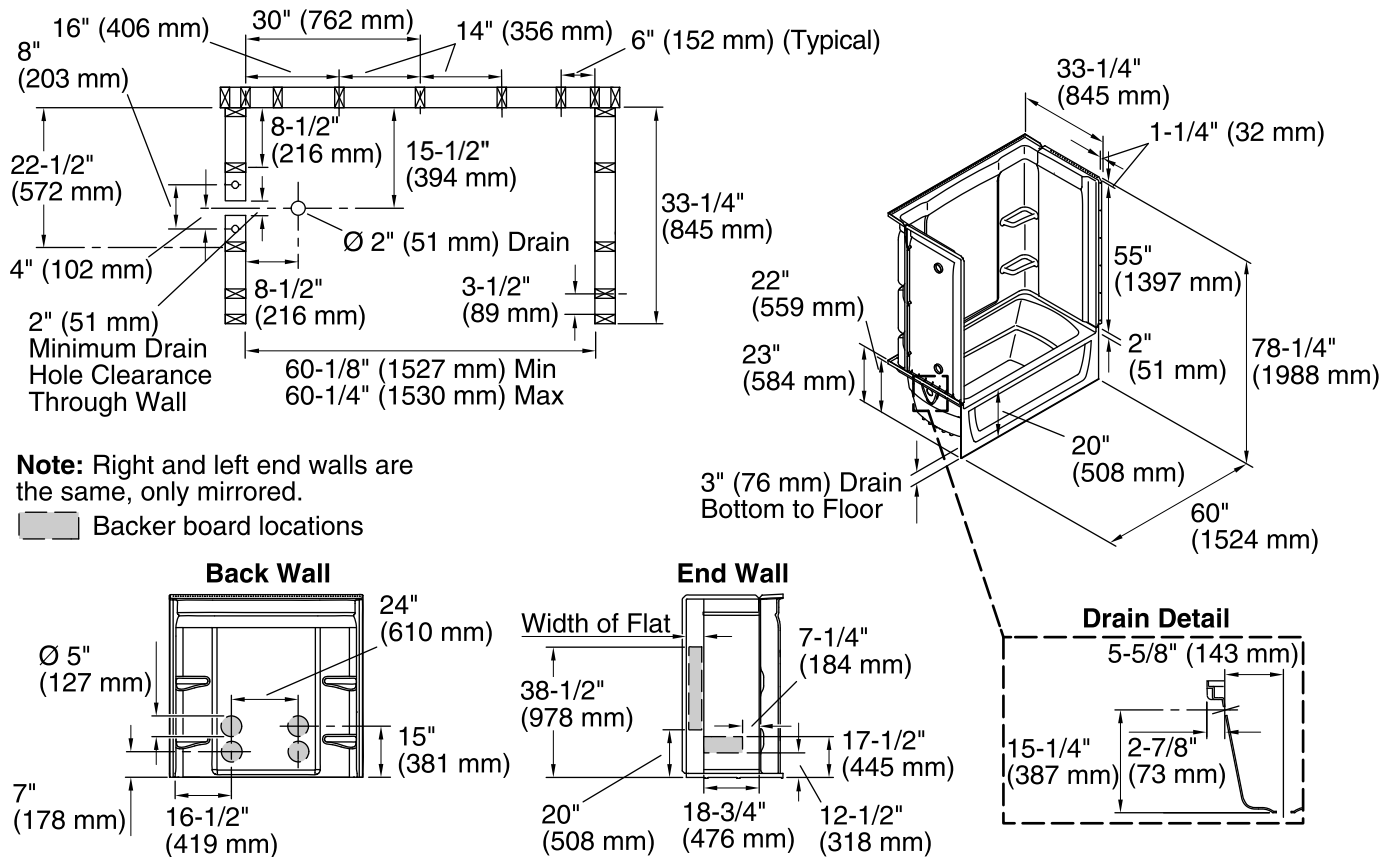
Color	Code	Description
	0	White
	96	KOHLER Biscuit

USA/Canada: 1-800-STERLING (1-800-783-7546)

Kohler Co. reserves the right to make revisions without notice to product specifications.

For the most current Specification Sheet, go to [www.sterlingplumbing.com](http://www.sterlingplumbing.com).

9-4-2017 03:02



### Technical Information

All product dimensions are nominal.

- Installation: 3-Wall Alcove
- Drain location: Left
- Basin area, bottom: 42" x 20" (1067 mm x 508 mm)
- Basin area, top: 54" x 26" (1372 mm x 660 mm)
- Water depth: 13" (330 mm)
- Water capacity: 51 gal (193.1 L)
- Minimum flat for door: 3" (76 mm)
- Door height required: 56-3/4" (1441 mm)
- Door width required: 57-11/16" (1465 mm)

### Notes

- Install this product according to the installation instructions.
- Studs should be positioned roughly as shown.
- Double studding is recommended for pivot shower door installations.