



# Whitehaven® Hayridge™ 36" Smart Divide® Kitchen Sink with Tall Apron K-6349

## Features

- Double (large/medium) bowl.
- Smart Divide® lowered divider.
- Decorative apron pattern.
- With 8-13/16" (224 mm) Self-Trimming® integral apron.
- Fits a 36" apron sink base cabinet.
- 35-11/16" (906 mm) x 21-9/16" (548 mm) x 9-5/8" (244 mm)

## Material

- KOHLER cast iron.
- Acid-resistant enamel finish.

## Installation

- Under-mount

## Recommended Accessories

K-9000 P-Trap

## Optional Accessories

K-5828 Basin Rack Large  
K-5874 Basin Rack Small  
K-8801 Sink Strainer



## Codes/Standards

ASME A112.19.1/CSA B45.2

## KOHLER® Enameled Cast Iron Kitchen Sink - Lifetime Limited Warranty

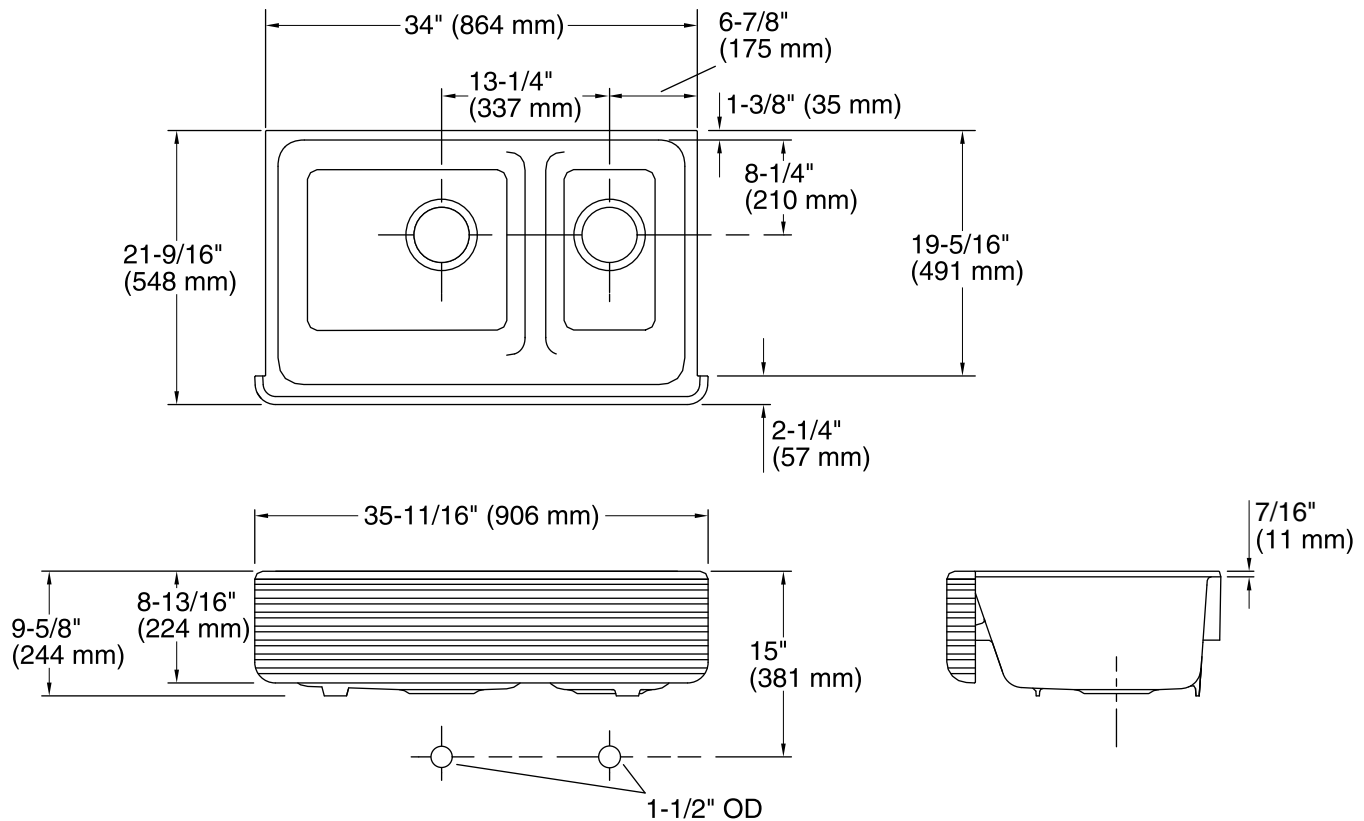
See website for detailed warranty information.

## Available Color/Finishes

*Color tiles intended for reference only.*

Color	Code	Description
-------	------	-------------

	0	White
--	---	-------



### Technical Information

All product dimensions are nominal.

Bowl configuration: Large/medium

Installation: Under-mount

Min. base cabinet width: 36" (914 mm)

Bowl area (Left) Length: 18-13/16" (478 mm)

Width: 18-1/16" (459 mm)

Bowl depth: 9" (229 mm)

Water depth: 9" (229 mm)

Bowl area (Right) Length: 10-5/16" (262 mm)

Width: 18-1/16" (459 mm)

Bowl depth: 9" (229 mm)

Water depth: 9" (229 mm)

Drain hole: 3-5/8" (92 mm)

Template: Under-mount, 1156910-7, not required, not included  
Apron Front, 1157001, not required, not included

### Notes

Install this product according to the installation instructions.

**NOTICE:** The countertop manufacturer or cutter must use the cut-out template provided with the product, or a current one provided by Kohler Co. (call 1-800-4KOHLER). Kohler Co. is not responsible for cut-out errors when the incorrect cut-out template is used.

**IMPORTANT!** The distance from the top edge of the cabinet to the top of the cabinet door must be at least 9" (229 mm) to install this sink.