



San Souci™

Comfort Height® Touchless Toilet

K-4000

Features

- Simply hold your hand over the sensor to activate.
- Powered by 4 AA batteries (included).
- Easy to clean concealed trapway.
- Compact elongated, space saving bowl.
- Large 3-1/4" canister flush valve features a powerful jet action, providing rapid water delivery from tank to bowl.
- High-efficiency system offers bulk flushing performance and best in class cleanliness.

Installation

- 12" rough-in, supply line not included.

Water Conservation & Rebates

- Significant water savings of as much as 16,500 gallons of water annually over a 3.5 gallon toilet.
- Meets strict flushing performance guidelines established by the EPA's WaterSense® program.
- Qualifies as an HET (High Efficiency Toilet). Consumer rebates are available in some municipalities.
- This product can help a building earn Water Efficiency points in the LEED Green Building Rating System.

Components

Product includes:

K-4008 Toilet Seat

Additional included component/s: Tank Cover, Low Profile Bolt Cap Accessory Pack, Tank Accessory Pack, and Touchless Flush System.



Codes/Standards

ASME A112.19.2/CSA B45.1

DOE - Energy Policy Act 1992

EPA WaterSense®

California Energy Commission (CEC)

KOHLER® One-Year Limited Warranty

See website for detailed warranty information.

Available Color/Finishes

Color tiles intended for reference only.

Color	Code	Description
	0	White
	96	Biscuit
	47	Almond
	NY	Dune
	95	Ice™ Grey
	G9	Sandbar
	33	Mexican Sand™
	K4	Cashmere
	58	Thunder™ Grey
	7	Black Black™

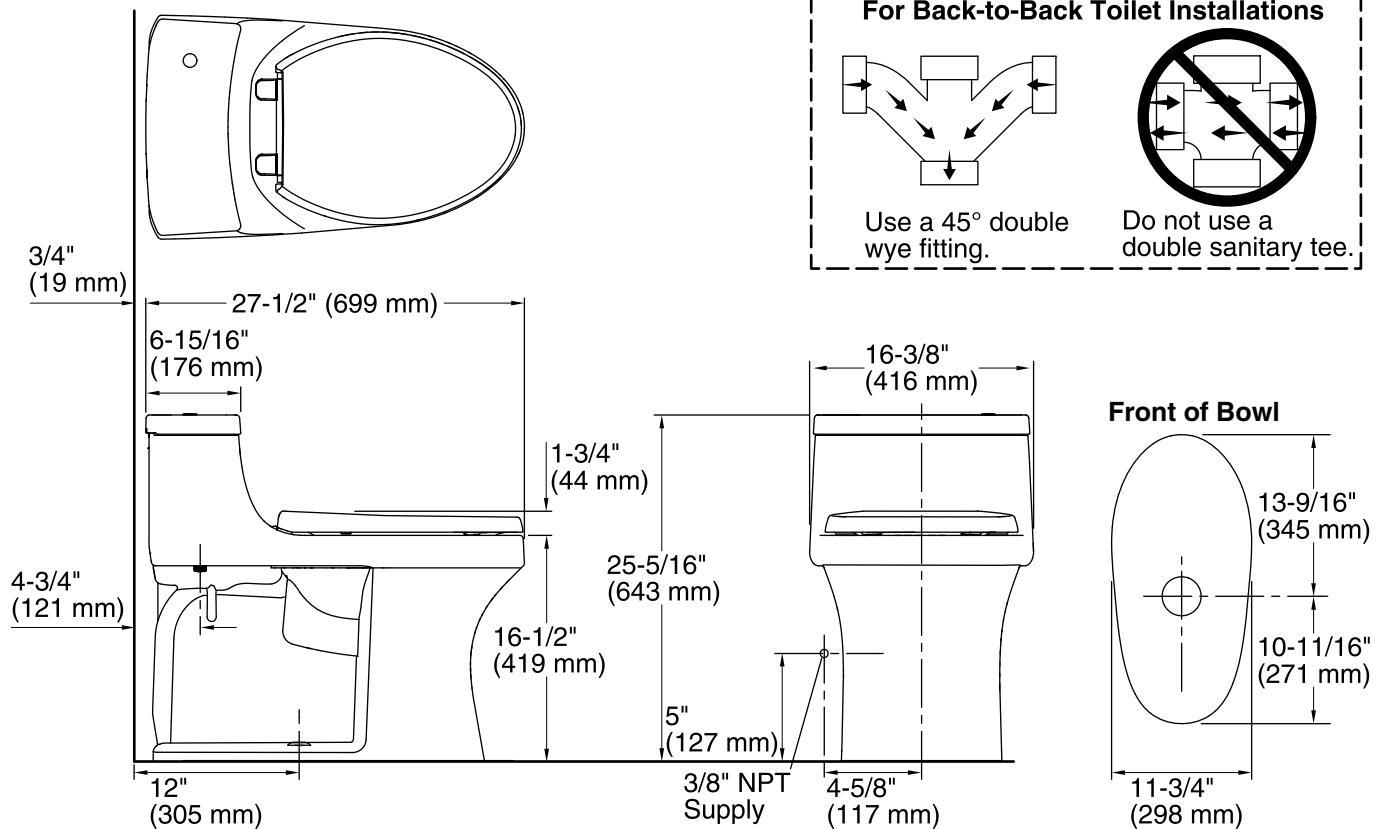
USA/Canada: 1-800-4KOHLER (1-800-456-4537)

Kohler Co. reserves the right to make revisions without notice to product specifications.

For the most current Specification Sheet, go to www.kohler.com.

6-24-2016 04:43

THE BOLD LOOK
OF **KOHLER**®



Technical Information

All product dimensions are nominal.

Toilet type:	One-piece
Bowl shape:	Compact Elongated front
Flush type:	Class Five
Seat hinge type:	Quick-Attach®, Quiet-Close™
Trap passageway:	2-1/8" (54 mm)
Water Consumption	
Full:	1.28 gpf (4.8 lpf)
Water surface size:	10-3/4" x 7-1/2" (273 mm x 191 mm)
Rim to water surface:	5-3/8" (137 mm)
Rough-in:	12" (305 mm)
Seat-mounting holes:	5-1/2" (140 mm)

Notes

Install this product according to the installation instructions.

For back-to-back toilet installations: Use only a 45 degree wye fitting.