

Features

- 36-inch minimum base cabinet width.
- Large Single bowl.
- 10-inch depth provides generous workspace.
- No faucet holes.
- SilentShield® sound-absorption technology offers quieter performance.
- Three graduated ledges in basin allow you to place accessories at your preferred height.
- Beveled cone-shape slopes into the drain, easily disposing debris.
- Includes a bamboo cutting board that fits securely on the sink levels providing an easy-to-clean work surface.
- Includes two durable dishwasher-safe grated racks that provide a convenient shelf for drying, rinsing, and defrosting.
- Includes a durable dishwasher safe wash bin and colander for draining pasta, washing dishes, or defrosting meat.
- Includes installation hardware.

Material

- Handcrafted from 18-gauge stainless steel.

Installation

- Under-mount

Components

Product includes:

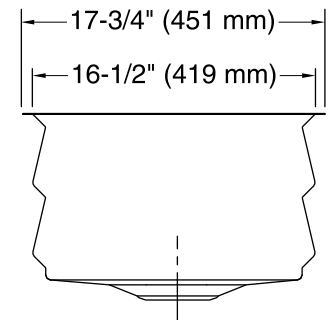
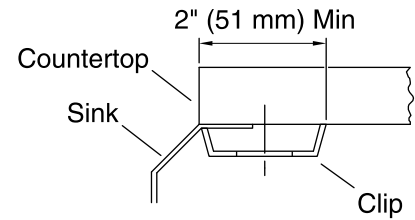
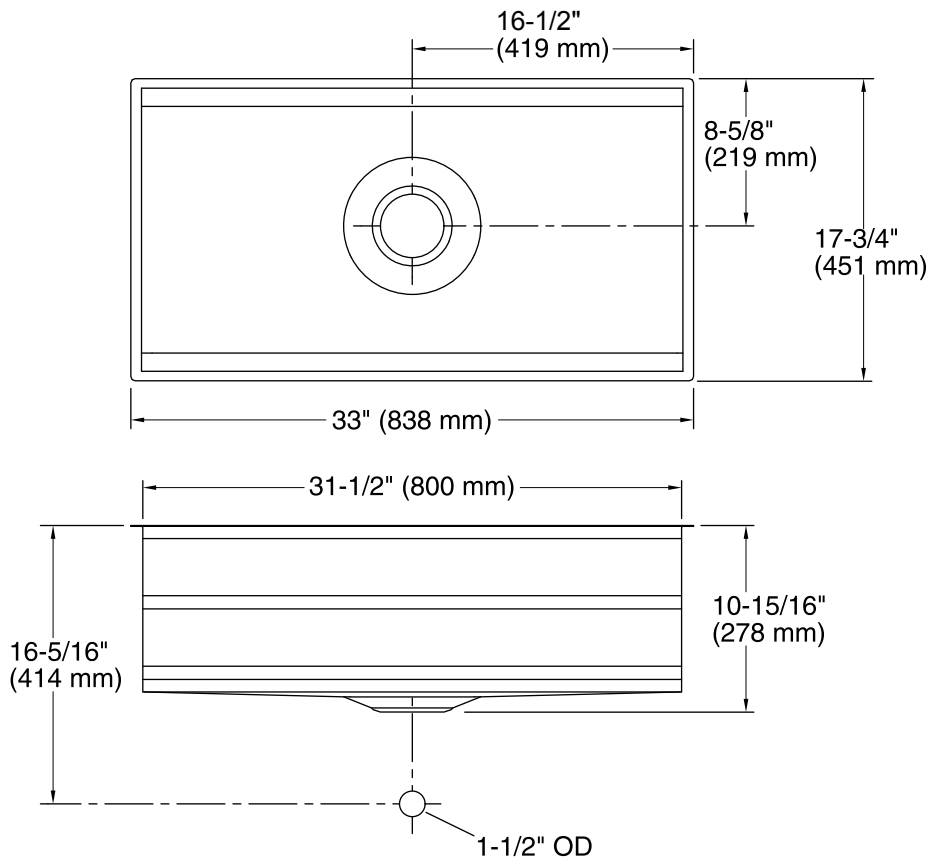
- K-5542 Multipurpose Grated Rack
- K-5542 Multipurpose Grated Rack
- K-5541 Hardwood Cutting Board
- K-5544 Prolific™



Codes/Standards

ASME A112.19.3/CSA B45.4

See website for detailed warranty information.



Technical Information

All product dimensions are nominal.

Bowl configuration: Single

Installation: Under-mount

Bowl area (Only) Length: 31-1/2" (800 mm)
Width: 16-1/2" (419 mm)
Bowl depth: 10" (254 mm)
Water depth: 10" (254 mm)

Drain hole: 3-3/4" (94 mm)

Template: Under-mount, 1093327-7, required, included

Notes

Install this product according to the installation instructions.

Allow a minimum of 2" (51 mm) clearance from the cutout for clip attachment.