



Ensemble™

60" x 32" Curve End Drain Shower

72180120



Features

- Tongue-and-groove 4 piece modular design allows for easy "snap together" installation
- Convenient shelves provide generous storage
- Shaving ledge and foot rest added for comfort
- Base can be ordered separately.
- Durable high-gloss finish
- Dry-Block seal and channeled water containment system create watertight seams
- End drain makes it perfect for replacing an existing bath without moving the drain location.

Material

- Compression molded from our exclusive solid Vikrell material

Installation

- 60" (1524 mm) x 32" (812 mm) x 74-1/4" (1892 mm) complete unit finished dimensions.

Components

Product includes:

- 72232100 60" Shower Back Wall
- 72181120 60" x 32" End Drain Shower Base
- 72185100 32" Shower End Wall Set



Codes/Standards



- CSA B45.5/IAPMO Z124
- ASTM E162
- ASTM E662
- Greenguard UL 2818 - Gold
- HUD, UM Bulletin 73

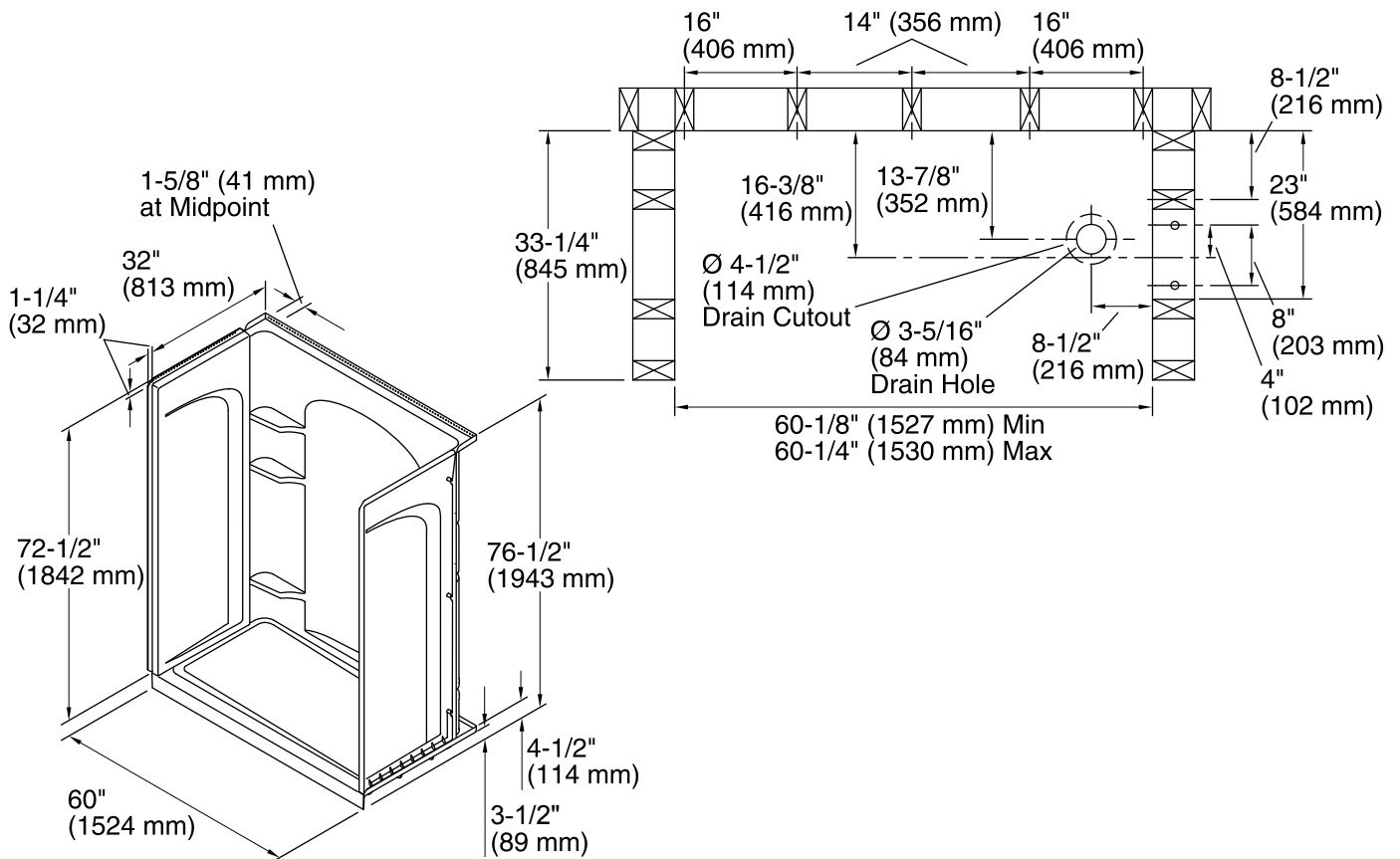
STERLING® Warranty - Fixtures Made of Solid Vikrell Material

See website for detailed warranty information.

Available Color/Finishes

Color tiles intended for reference only.

Color	Code	Description
	0	White
	96	Biscuit



Technical Information

All product dimensions are nominal.

- Installation: 3-Wall Alcove
- Drain location: Right
- Weight: 125.4 lbs (56.9 kg)
- Door height required: 70-1/2" (1791 mm)
- Door width required: 56-5/8" (1438 mm)

Notes

- Install this product according to the installation guide.
- Double studding is recommended for pivot shower door installations.
- Studs should be positioned roughly as shown.