



## Ensemble™

60" x 32" ED Shower w/ Backer Boards  
72180126



### Features

- Modular design allows it to be moved around corners and through doorways with ease.
- Durable high gloss finish.
- Convenient shelves provide generous storage space.
- Shaving ledge/foot rest for added comfort.
- Curve wall design for a smooth look and feel.
- Wall surround includes backer boards for future grab bar installation.

### Material

- Compression molded from our exclusive Vikrell material.

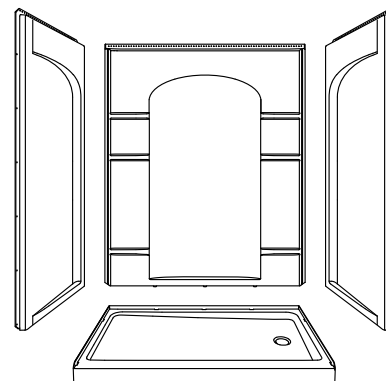
### Installation

- Tongue-and-groove four piece modular design allows for easy snap together installation.
- Dry-Block seal and channeled water containment system create watertight seams.

### Components

Product includes:

- 72181120 60" x 32" End Drain Shower Base
- 72232106 60" x 72-1/2" Back Wall with Backer Boards
- 72185106 32" Shower End Wall Set w/ Backer Board



### Codes/Standards



CSA B45.5/IAPMO Z124  
ASTM E162  
ASTM E662  
Greenguard UL 2818 - Gold  
HUD, UM Bulletin 73

### STERLING® Warranty - Fixtures Made of Solid Vikrell Material

See website for detailed warranty information.

### Available Color/Finishes

*Color tiles intended for reference only.*

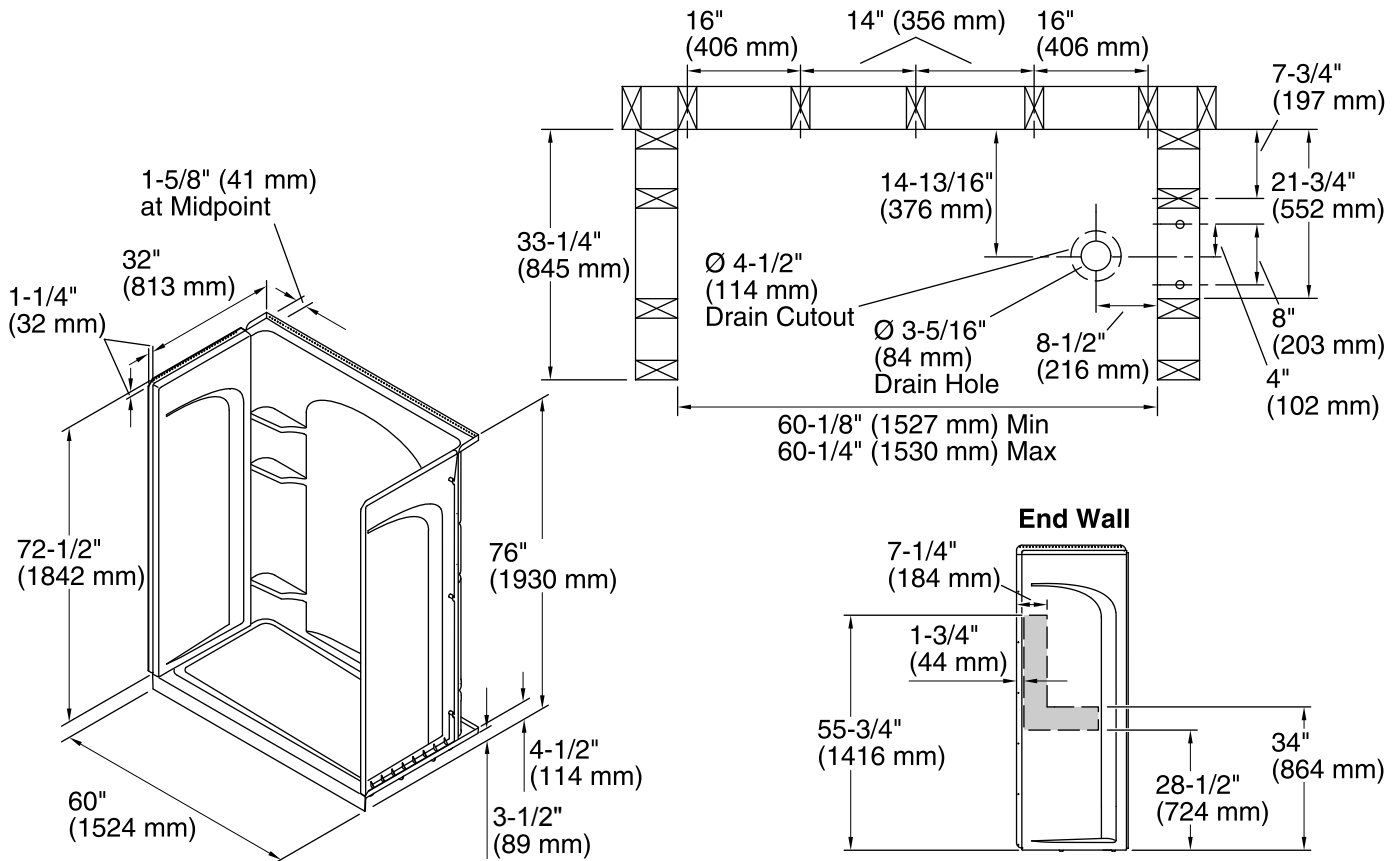
Color	Code	Description
	0	White
	96	Biscuit

USA/Canada: 1-800-STERLING (1-800-783-7546)

Kohler Co. reserves the right to make revisions without notice to product specifications.

For the most current Specification Sheet, go to [www.sterlingplumbing.com](http://www.sterlingplumbing.com).

6-27-2015 08:50



**Technical Information**

All product dimensions are nominal.

- Installation: 3-Wall Alcove
- Drain location: Right
- Weight: 125.4 lbs (56.9 kg)
- Door height required: 70-1/2" (1791 mm)
- Door width required: 56-5/8" (1438 mm)

**Notes**

- Install this product according to the installation guide.
- Double studding is recommended for pivot shower door installations.
- Studs should be positioned as shown.