

Features

- Includes valve trim with handle, showerarm with flange, and showerhead. (excludes ceramic dial plate)
- Single six-prong controls both on/off activation and temperature setting.
- Includes single function 2.5 gpm (9.5 l/min) showerhead.
- Coordinates with Antique faucets and accessories to complete your bathroom.
- Pressure-balancing diaphragm technology maintains outlet temperature within +/-3 degrees Fahrenheit during water pressure fluctuations

Material

- For use with any KOHLER showerhead (not supplied).
- Premium material construction with metal handle ensures reliability and durability.

Installation

- Trim set requires valve to complete installation.

Required Accessories

K-304/K-P304 Series Rite-Temp® Valves
K-146 Bath Dial Plate

or

K-8304/K-P8304 Series Rite-Temp® Valve & Cartridge Kits
K-146 Bath Dial Plate

or

K-8300/K-P8300 Series Rite-Temp® Valve Body Rough-ins
K-8305/K-P8305 Series Rite-Temp® Cartridges
K-146 Bath Dial Plate

or

K-2971-KS 3/4" Pressure-balancing Valve
K-146 Bath Dial Plate

Optional Accessories

K-10350 Deep Rough-In Kit For K-8305 Cartridges
K-10351 Test Cap For K-8300 Series Valve Bodies



Codes/Standards




ASME A112.18.1/CSA B125.1
DOE - Energy Policy Act 1992

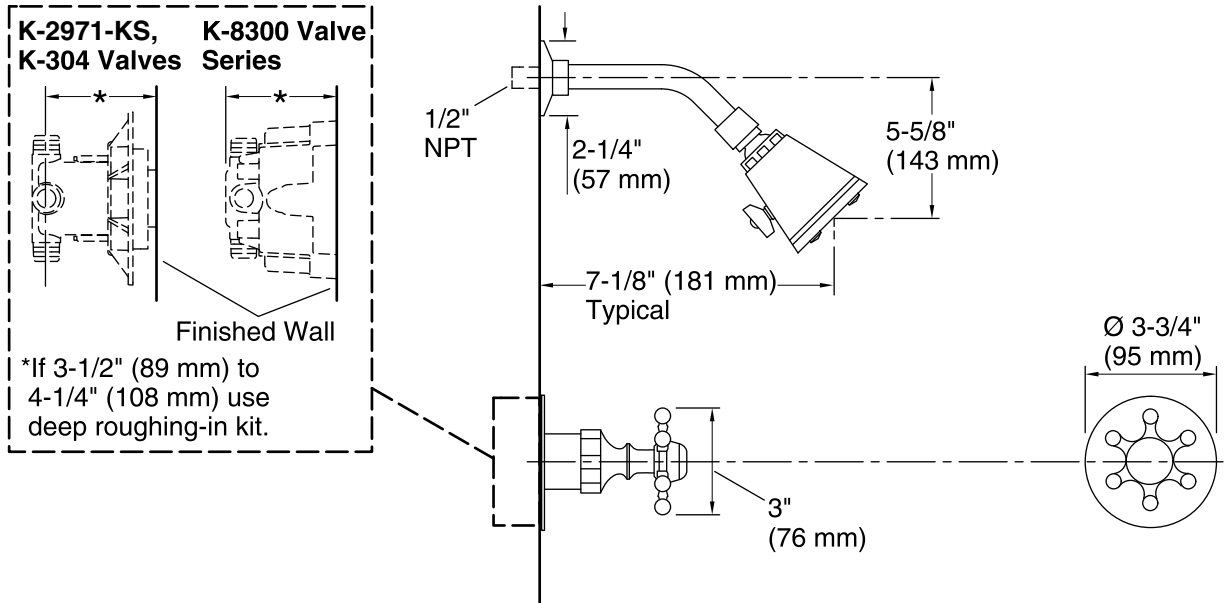
KOHLER® Faucet Lifetime Limited Warranty

See website for detailed warranty information.

Available Color/Finishes

Color tiles intended for reference only.

Color	Code	Description
	CP	Polished Chrome
	PB	Vibrant® Polished Brass
	BN	Vibrant® Brushed Nickel



Technical Information

All product dimensions are nominal.

Showerhead:

Rated maximum flow: 2.5 gal/min (9.5 l/min)

Pressure: 80 psi (5.5 bar)

Notes

Install the product according to the installation guide.

NOTICE: Risk of product damage. Long screws for installing trim can damage the K-2971-KS valve. Consult the trim installation guide to verify if the thin wall installation kit (88526) is needed.