

**Features**

- Framed, 1/8" (3 mm) thick tempered glass door and 3/16" (5 mm) thick tempered glass in-line panel.
- Pivot bushings provide smooth, silent operation.
- Full-length magnetic door latch provides secure door closure.
- Threshold conveniently directs water back into shower.
- Full-length handle for easy operation.

**Material**

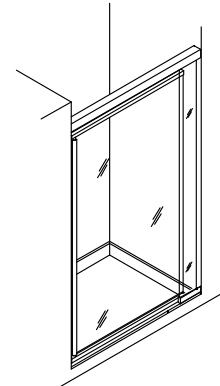
- Anodized aluminum prevents rusting or corrosion.
- Tempered glass ensures maximum safety and durability.

**Installation**

- Out-of-plumb adjustability allows for simpler installation.
- Can be installed to open to the left or right.

**Components**

Additional included component/s: Hardware kit.



**Codes/Standards**

ANSI Z97.1 (Tempered Glass)  
CPSC 16CFR 1201

**STERLING® Warranty - Bath and Shower Doors**

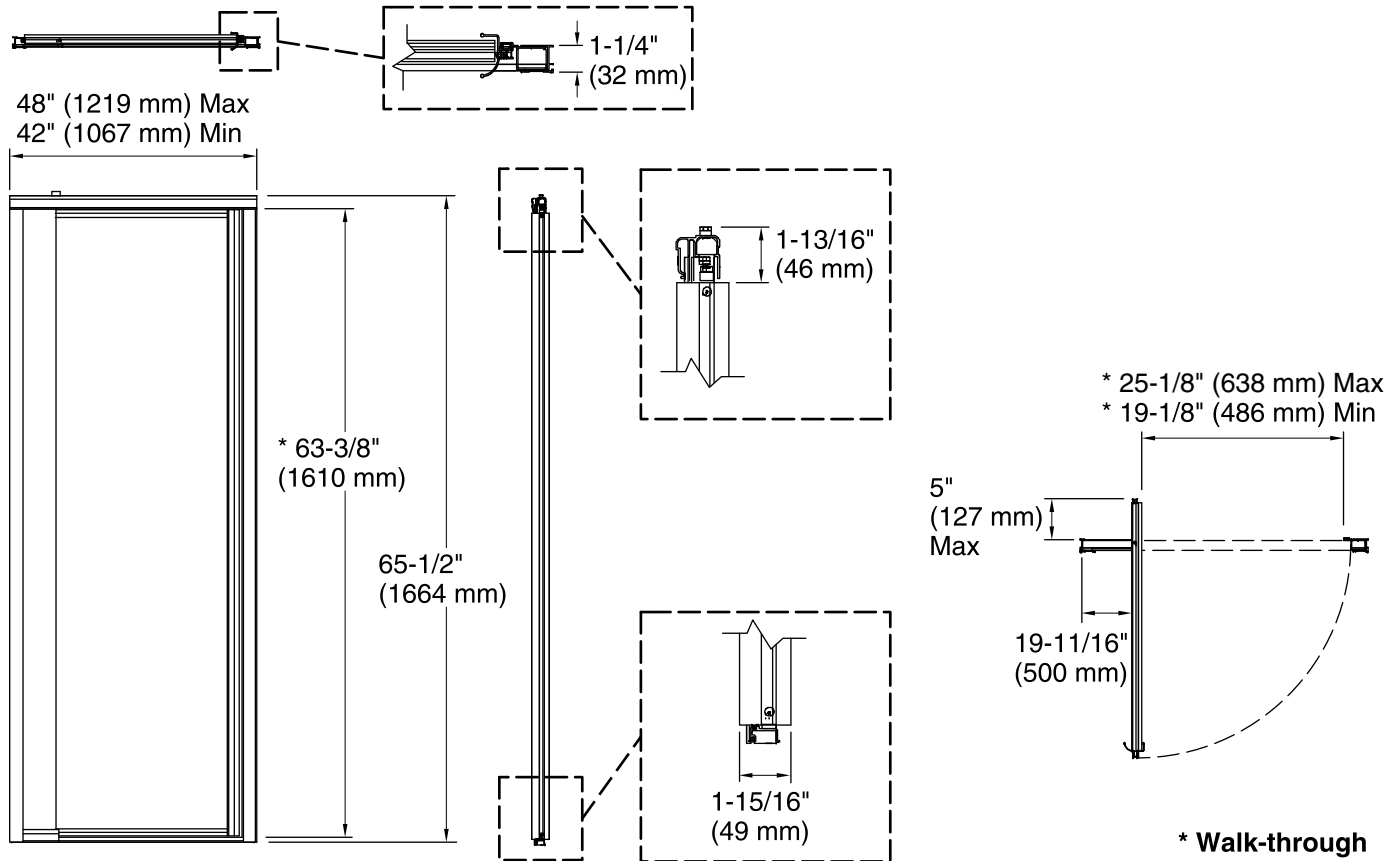
See website for detailed warranty information.

**Available Color/Finishes**

*Color tiles intended for reference only.*

**Color Code Description**

N	Nickel
S	Silver



**Technical Information**

All product dimensions are nominal.

Installation type: For receptor installation

Opening Width - Min: 42" (1067 mm)

Opening Width - Max: 48" (1219 mm)

Walk-through - Min: 19-1/8" (486 mm)

Walk-through - Max: 25-1/8" (638 mm)

Glass thickness: 1/8" (3 mm)

**Notes**

Install this product according to the installation guide.