

### Features

- Single lever handle allows for both on/off activation and temperature setting
- Includes handshower and hose.
- KOHLER ceramic disc valves exceed industry longevity standards for a lifetime of durable performance.
- 8 gpm maximum flow rate (30 l/min) @ 60 psi
- 8-3/4" spout reach.
- 38-15/16" max. spout height.
- Coordinates with Kelston faucets, accessories, and showering components to complete your bathroom.

### Material

- Premium Metal Construction.
- KOHLER finishes resist corrosion and tarnishing.

### Installation

- Floor-mount
- Requires K-97339 mounting block.
- Compatibility with tub varies by application.

### Required Accessories

K-97339 Multiproduct Mounting-block



### Codes/Standards




ASME A112.18.1/CSA B125.1  
DOE - Energy Policy Act 1992  
EPA WaterSense®  
California Energy Commission (CEC)

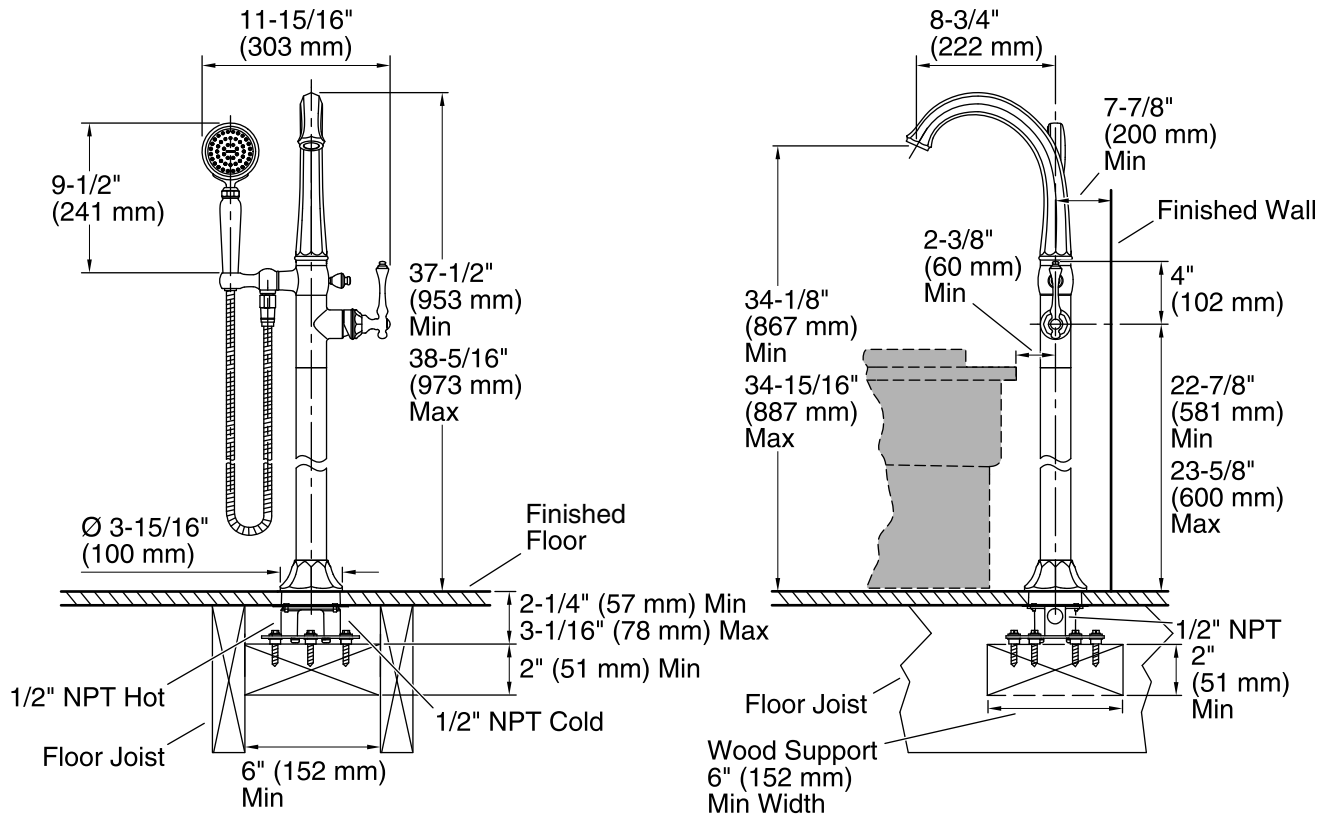
### KOHLER® Faucet Lifetime Limited Warranty

See website for detailed warranty information.

### Available Color/Finishes

*Color tiles intended for reference only.*

Color	Code	Description
	CP	Polished Chrome
	BN	Vibrant® Brushed Nickel
	2BZ	Oil-Rubbed Bronze



### Technical Information

All product dimensions are nominal.

Valve body: Composite

### Spout:

Spout reach: 8-13/16" (224 mm)

### Faucet:

Flow rate: 6 gal/min (22.7 l/min)

Pressure: 45 psi (3.1 bar)

### Handshower:

Rated maximum flow: 2 gal/min (7.6 l/min)

### Notes

Install this product according to the installation guide.

Adequate floor support is required. The wood support must be a minimum of 2" (51 mm) thick by 6" (152 mm) wide. 2x6 lumber is NOT adequate for this application.

Concrete can be used as the floor support.

Requires 3/16" masonry drill bit and six 1/4" x 1-3/4" concrete screws, not included.