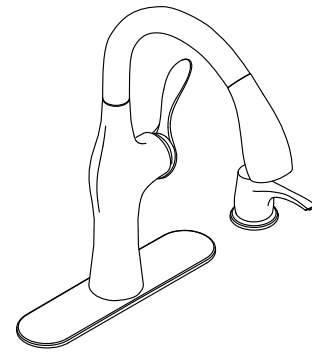


Features

- Single-lever handle is simple to use and makes adjusting water temperature easy.
- High-arch swivel spout offers superior clearance for filling pitchers and cleaning.
- Ceramic disc valve exceeds industry longevity standards, ensuring durable performance for life.
- Two-function pull-down sprayhead with touch-control allows you to switch from stream to Sweep® spray.
- Sweep® spray features specially angled nozzles that form a wide, powerful blade of water to sweep your dishes and sink clean.
- ProMotion™ technology's light, quiet nylon hose and ball joint makes the pullout sprayhead easier and more comfortable to use.
- DockNetik®, a magnetic docking system located within the spout, smoothly glides and securely locks the sprayhead into place.
- MasterClean™ sprayface features an easy-to-clean surface that withstands mineral buildup.
- KOHLER finishes featuring ScratchShield™ withstands even the toughest of daily use.
- Includes soap/lotion dispenser.

Installation

- Installs with 1-, 2-, 3-, or 4-hole sink (escutcheon plate included).
- Flexible supply lines and quick connect fittings make installation easy.
- Longer shank works with countertops up to 2 1/2" thick and is easy to install. Simply hand-tighten the mounting nut and secure with a screwdriver.



ADA CSA B651

Codes/Standards

ASME A112.18.1/CSA B125.1

NSF 61

NSF 372

All applicable US Federal and State material regulations

DOE - Energy Policy Act 1992

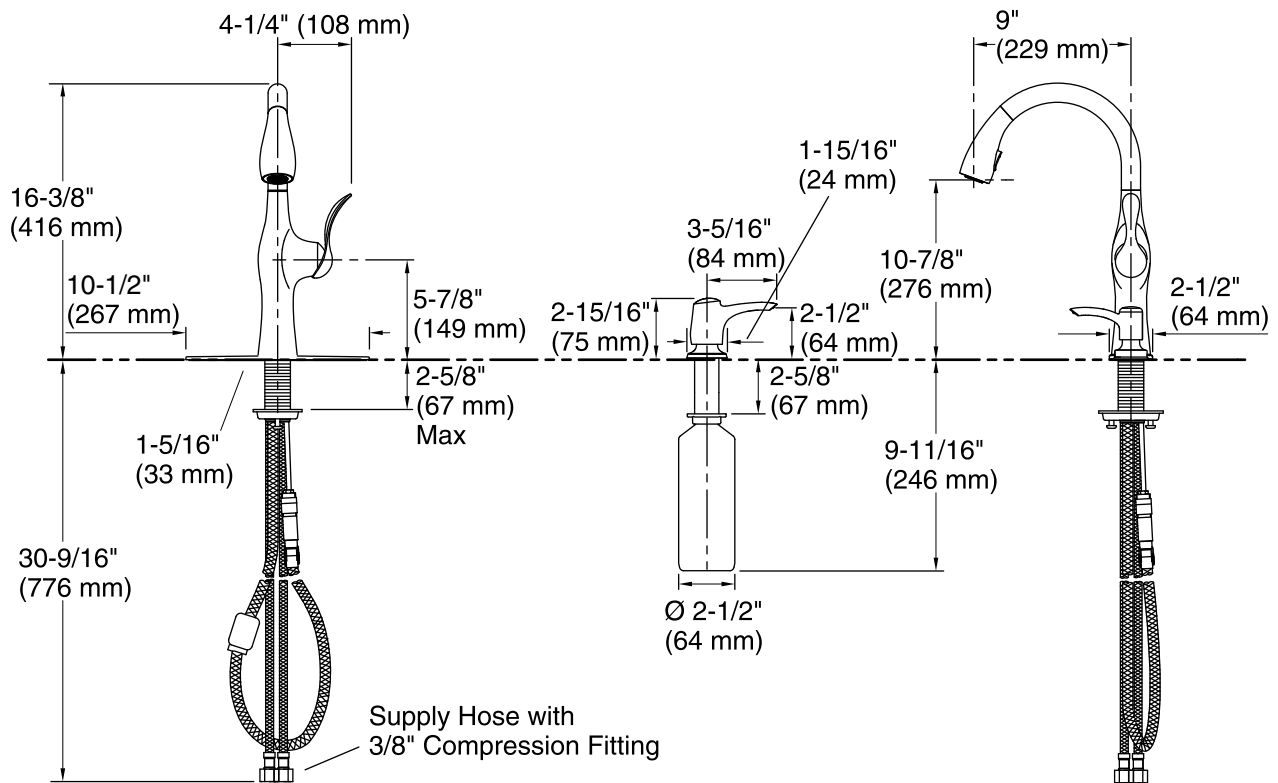
California Energy Commission (CEC)

ADA

ICC/ANSI A117.1

CSA B651

See website for detailed warranty information.



Technical Information

All product dimensions are nominal.

Valve body: Machined Brass

Faucet:

Flow rate: 1.8 gal/min (6.8 l/min)

Pressure: 60 psi (4.1 bar)

Notes

Install this product according to the installation guide.

ADA, CSA B651 compliant when installed to the specific requirements of these regulations.