

Features

- Out-of-plumb adjustability allows for simpler installation.
- Frameless design emphasizes glass and creates a sleek, minimalist look.
- Frameless, 1/4" (6 mm) thick Crystal Clear tempered glass door.
- No top header eliminates clearance issues.
- Vertical blade handles complete the look of this door.
- Self-closing mechanism offers superior performance and security against water leakage.
- CleanCoat® technology creates a barrier between the water and glass to help keep your shower door looking new.

Material

- Anodized aluminum hardware prevents rusting or corrosion.
- Tempered glass ensures maximum safety and durability.

Installation

- Can be installed to open to the left or right.

Components

Additional included component/s: Hardware Kit.



Codes/Standards

ASTM C1036
ASTM C1048
ANSI Z97.1 (Tempered Glass)
CPSC 16CFR 1201

KOHLER® One-Year Limited Warranty

See website for detailed warranty information.

Available Color/Finishes

Color tiles intended for reference only.

| Color | Code | Description |
|-------|------|-------------|
|-------|------|-------------|



| | |
|-----|------------------------|
| SHP | Bright Polished Silver |
|-----|------------------------|

| | |
|-----|----------------------|
| ABZ | Anodized Dark Bronze |
|-----|----------------------|

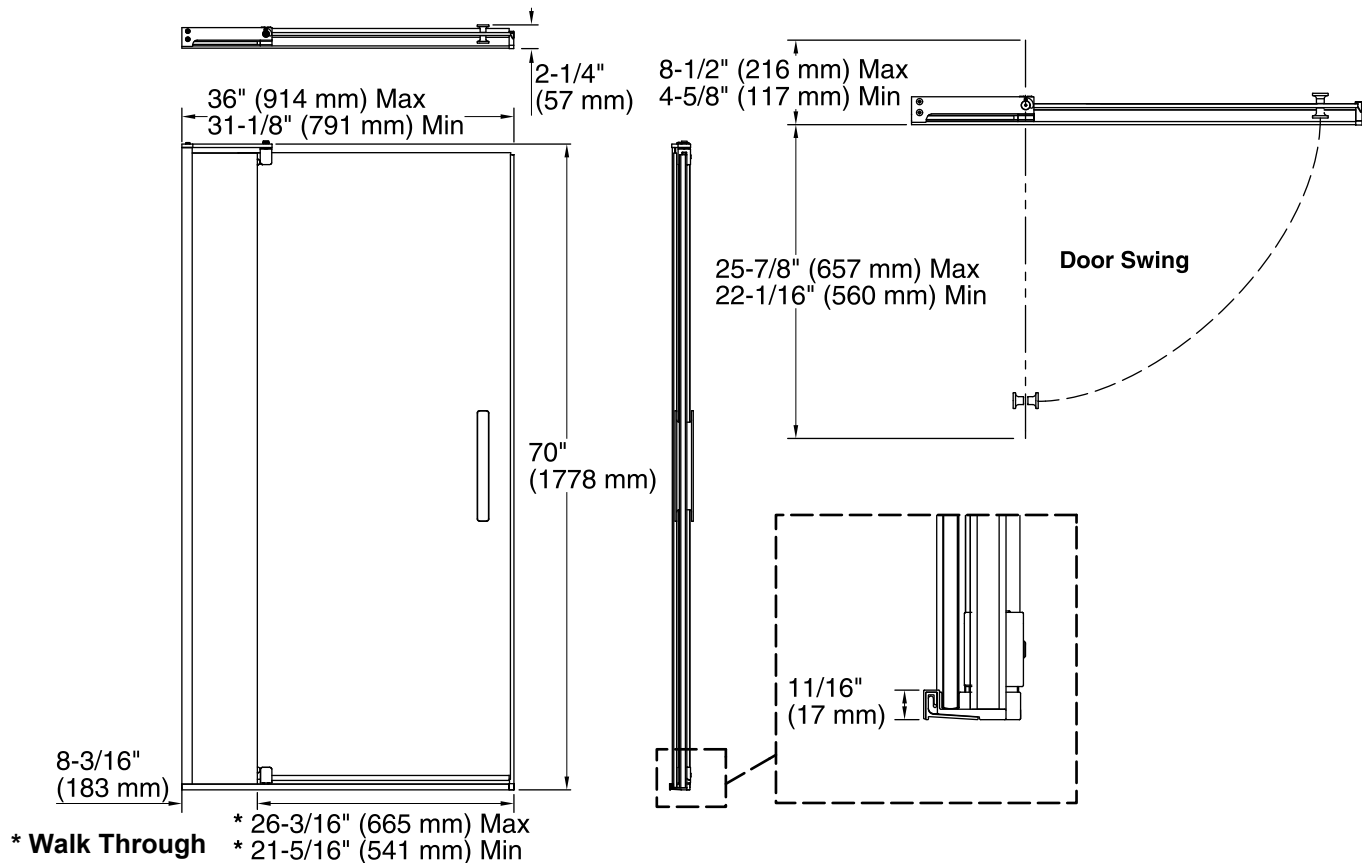


| | |
|-----|-------------------------|
| BNK | Anodized Brushed Nickel |
|-----|-------------------------|

Available Glass Options

| Code | Description |
|------|-------------|
|------|-------------|

| | |
|--|---------------|
| | Crystal Clear |
|--|---------------|



Technical Information

All product dimensions are nominal.

| | |
|----------------------|------------------------------|
| Installation type: | For shower base installation |
| Opening style: | Pivot |
| Opening Width - Min: | 31-1/8" (791 mm) |
| Opening Width - Max: | 36" (914 mm) |
| Walk-through - Min: | 21-3/8" (542 mm) |
| Walk-through - Max: | 26-1/4" (666 mm) |
| Glass thickness: | 1/4" (6 mm) |
| Glass coating: | CleanCoat® |

Notes

Install this product according to the installation guide.

Strike jamb is made of clear plastic and may not cover existing shower door holes.

NOTICE: The vertical opening should be a minimum of 74" (1880 mm) to allow clearance for installation.

The vertical opening should be a minimum of 74" (1880 mm) to allow for installation clearance.