



# Underscore® Oval

## Freestanding Bath

### K-5701-W1



#### Features

- Dual lumbar supports two-person bathing by offering comfort at both ends
- Center drain.
- Slotted overflow allows for deep soaking. Requires K-7271 or K-7272 Clearflo slotted overflow bath drain (sold separately).
- Bask® heated surface creates spa-like relaxation with soothing warmth on your back and neck.
- Wide ledge on one side is ideal for deck-mount faucet and/or handshower.

#### Material

- Acrylic

#### Installation

- Freestanding

#### Required Accessories

K-7271 Brass Slotted Overflow Bath Drain

or

K-7272 PVC Slotted Overflow Bath Drain

#### Recommended Accessories

K-24916 Wireless Music Kit



#### Codes/Standards

CSA B45.5/IAPMO Z124

UL 1795

CSA C22.2 No. 218.2

Greenguard UL 2818 - Gold

CARB P2






#### KOHLER® One-Year Limited Warranty

See website for detailed warranty information.

#### Available Color/Finishes

*Color tiles intended for reference only.*

Color	Code	Description
-------	------	-------------

	0	White
	96	Biscuit
	47	Almond
	NY	Dune
	G9	Sandbar

USA/Canada: 1-800-4KOHLER (1-800-456-4537)

Kohler Co. reserves the right to make revisions without notice to product specifications.

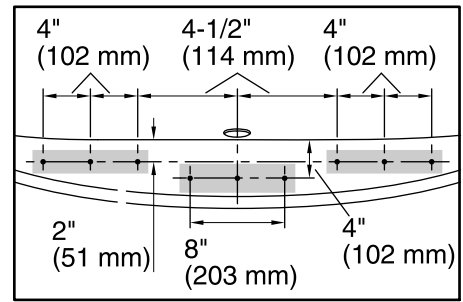
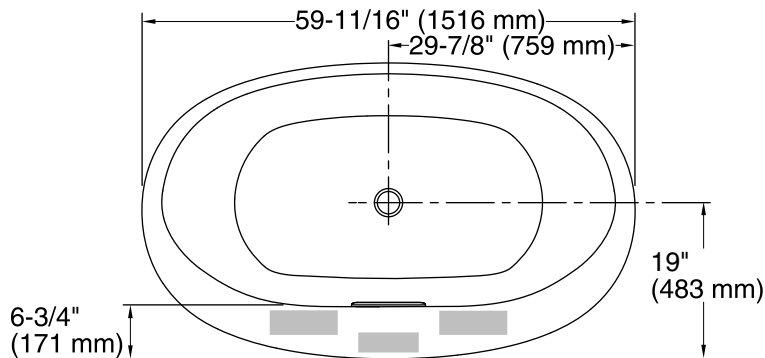
For the most current Specification Sheet, go to [www.kohler.com](http://www.kohler.com).

9-24-2017 02:56

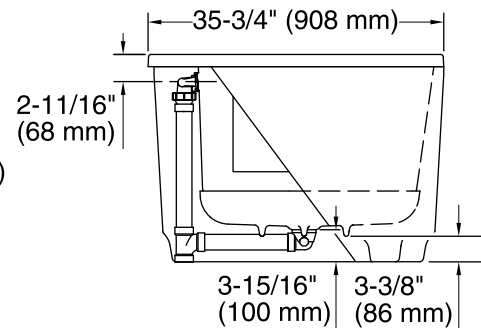
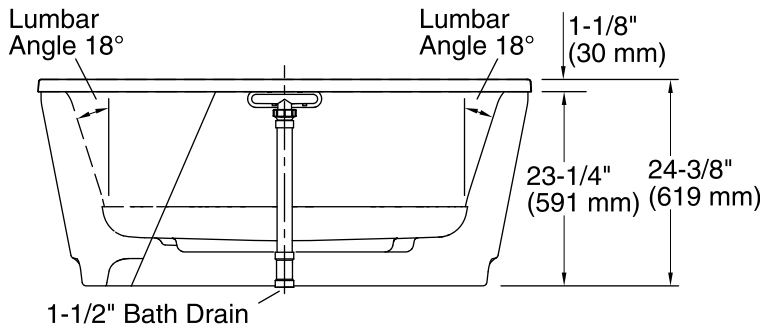
THE BOLD LOOK  
OF **KOHLER**®

No change in measurements if connected with drain illustrated. (K-7272)

█ Faucet area.



**Faucet Hole Locations  
(For KOHLER® Brand Only)**



### Required Electrical Service

One circuit required, protected with Class A Ground-Fault Circuit-Interrupter (GFCI) or Residual Current Device (RCD).

Heated Surface: 120 V, 15 A, 60 Hz

### Technical Information

All product dimensions are nominal.

Installation:	Freestanding
Drain location:	Center
Basin area, bottom:	43" x 25-5/8" (1093 mm x 651 mm)
Basin area, top:	55-9/16" x 28-3/8" (1411 mm x 720 mm)
Weight:	91 lbs (41.3 kg)
Minimum floor load:	45.4 lbs/ft <sup>2</sup> (221.7 kg/m <sup>2</sup> )
Water depth:	16-5/16" (415 mm)
Water capacity:	72.017 gal (272.6 L)
Template:	Footprint, 1265462, not required, not included
Electrical component rating:	Heated Surface: 120 V, 1.1 A, 50/60 Hz, 65 W

### Notes

Measure your actual product for rough-in details.

Install this product according to the installation instructions.

The hot water supply should be 70% of the capacity of the bath or greater. Installations will vary.