

Features

- Matching two-function sidespray featuring Sweep® Spray and BerrySoft® provides convenience for cleaning and food prep.
- High-arch swing spout with 360-degree rotation offers superior clearance for filling pots and cleaning.
- Ceramic disc valves exceed industry longevity standards, ensuring durable performance for life.
- ProMotion® technology's light, quiet braided hose and swiveling ball joint make the sidespray easier and more comfortable to use.
- MasterClean™ sprayface features an easy-to-clean surface that withstands mineral buildup.
- Single lever handle is simple to use and makes adjusting water temperature easy.
- Temperature memory allows faucet to be turned on and off at the temperature set during prior usage.
- Available with 8-1/2" (216mm) swing spout reach.
- 1.8 gpm (gallons per minute) maximum flow rate at 60 psi.

Material

- Premium metal construction.
- KOHLER finishes resist corrosion and tarnishing.

Installation

- For two-hole or four-hole installation. (3-hole escutcheon available, sold separately model number K-99272.)
- Flexible supply lines simplify installation.

Adapters, Rough-in and Extension Kits

1012715 Range: 3-1/4" (83 mm) - 5-3/8" (137 mm)
1030920 Range: 2-11/16" (68 mm) - 3-3/4" (95 mm)

Recommended Accessories

1054432 1.5gpm (5.7 l/min) Aerator Kit



ADA CSA B651

Codes/Standards

ASME A112.18.1/CSA B125.1
NSF 61
NSF 372

All applicable US Federal and State material regulations

DOE - Energy Policy Act 1992

California Energy Commission (CEC)

ADA

ICC/ANSI A117.1

CSA B651




KOHLER® Faucet Lifetime Limited Warranty

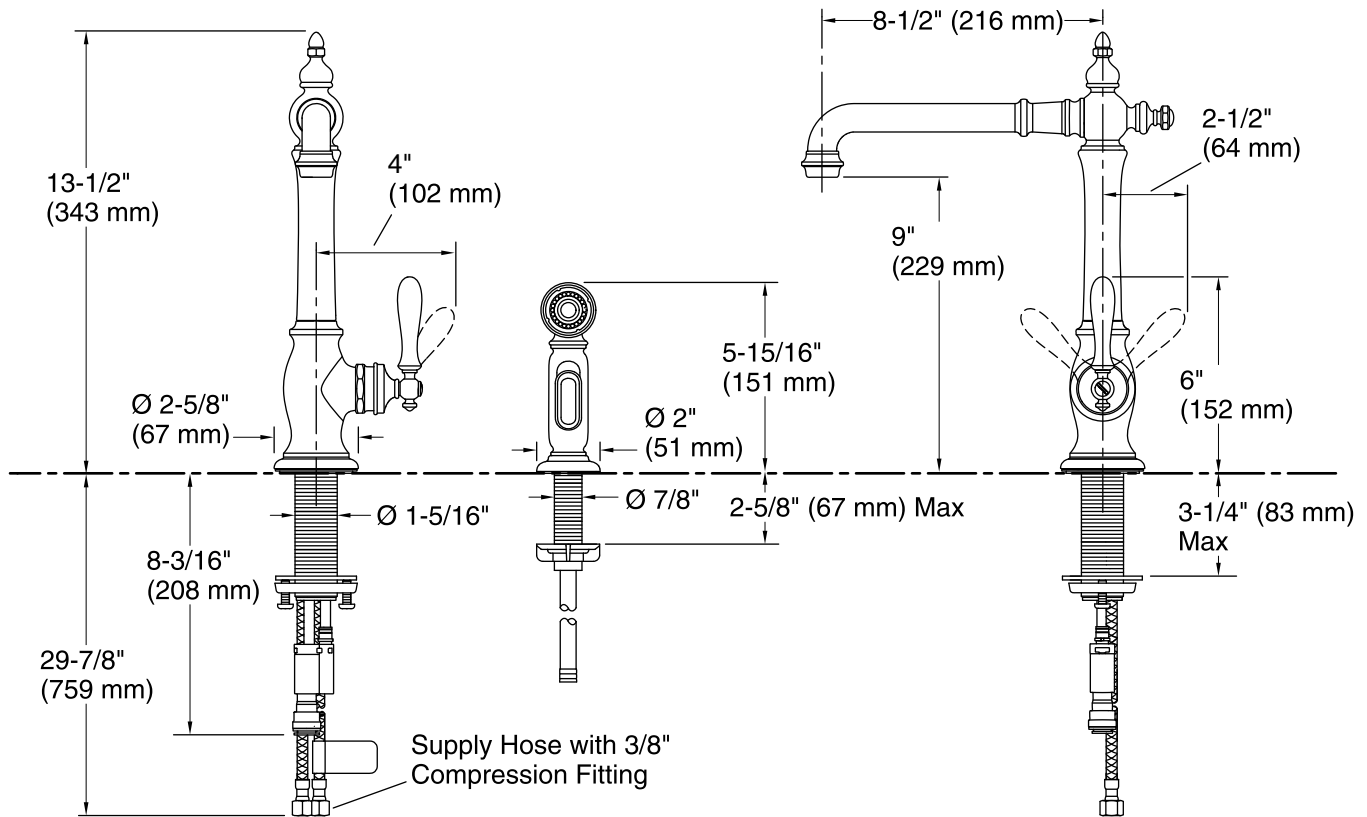
See website for detailed warranty information.

Available Color/Finishes

Color tiles intended for reference only.

Color Code Description

- | | | |
|--|----|--------------------------|
|  | CP | Polished Chrome |
|  | SN | Vibrant® Polished Nickel |
|  | VS | Vibrant® Stainless |



Technical Information

All product dimensions are nominal.

Spout:

Spout reach: 8-1/2" (216 mm)

Handle clearance: 2-1/2" (64 mm)

Faucet:

Flow rate: 1.8 gal/min (6.8 l/min)

Pressure: 60 psi (4.1 bar)

Notes

Install this product according to the installation guide.

ADA, CSA B651 compliant when installed to the specific requirements of these regulations.