

Features

- Handshower features transitional design, inspired by nature.
- Advanced spray engine provides four spray experiences: full coverage, drenching rain, intense massage and soft silk spray.
- Full coverage spray produces an encompassing spray for everyday use and utilizes air induction to create large, full drops.
- Drenching rain delivers a soothing circular water pattern.
- Intense massage spray targets sore muscles to ease away aches and pains.
- Soft silk spray releases a dense, luxurious downpour of water.
- Full 360 degree rotation of entire sprayface cycles through spray functions.
- Silicone sprayface is easy to clean.

Material

- KOHLER finishes resist corrosion and tarnishing.

Installation

- Bracket or slidebar required for wall-mount installation.
- Deck-mount holder required for deck-mount installation.

Water Conservation & Rebates

- WaterSense labeled 2.0 gpm handshowers use up to 20 percent less water than standard 2.5 gpm handshowers, while still meeting strict performance guidelines.
- This product can help a building earn Water Efficiency points in the LEED Green Building Rating System.

Required Accessories

K- 8593 72" Shower Hose

or

K- 9514 60" Shower Hose

or

K- 45981 Shower Hose

or

K- 45982 Shower Hose



Codes/Standards




ASME A112.18.1/CSA B125.1
DOE - Energy Policy Act 1992
EPA WaterSense®

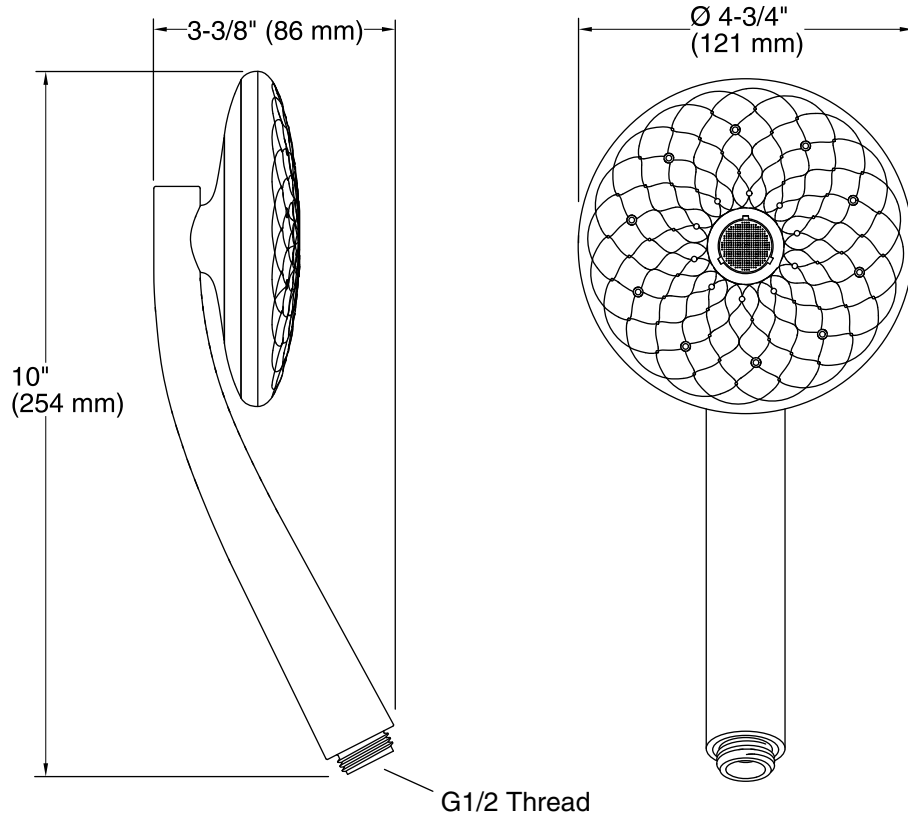
KOHLER® Faucet Lifetime Limited Warranty

See website for detailed warranty information.

Available Color/Finishes

Color tiles intended for reference only.

Color	Code	Description
	CP	Polished Chrome
	SN	Vibrant® Polished Nickel
	BN	Vibrant® Brushed Nickel



Technical Information

All product dimensions are nominal.

Handshower:

Rated maximum flow: 2 gal/min (7.6 l/min)

Notes

Install this product according to the installation guide.

Plumbing codes require approved backflow prevention devices to be installed in-line to handshowers. Please consult with local plumbing officials.