

Features

- Metal construction.
- Cylindrical handle with unique actuation
- Leak free ceramic disc valve allows both volume and temperature control.
- Temperature memory allows faucet to be turned on and off at any temperature setting.
- High-temperature limit setting for added safety
- Single-hole mounting
- Complete range of faucets, accessories and showering components to coordinate a full bathroom
- 1.2 gal/min maximum flow rate [max at 60 psi (4.1 bar)].
- Not compatible with lavatories with centerset drillings.



ADA

Codes/Standards

ASME A112.18.1/CSA B125.1

NSF 61

NSF 372

All applicable US Federal and State material regulations

DOE - Energy Policy Act 1992

EPA WaterSense®

California Energy Commission (CEC)

ADA

ICC/ANSI A117.1



KOHLER® Faucet Lifetime Limited Warranty

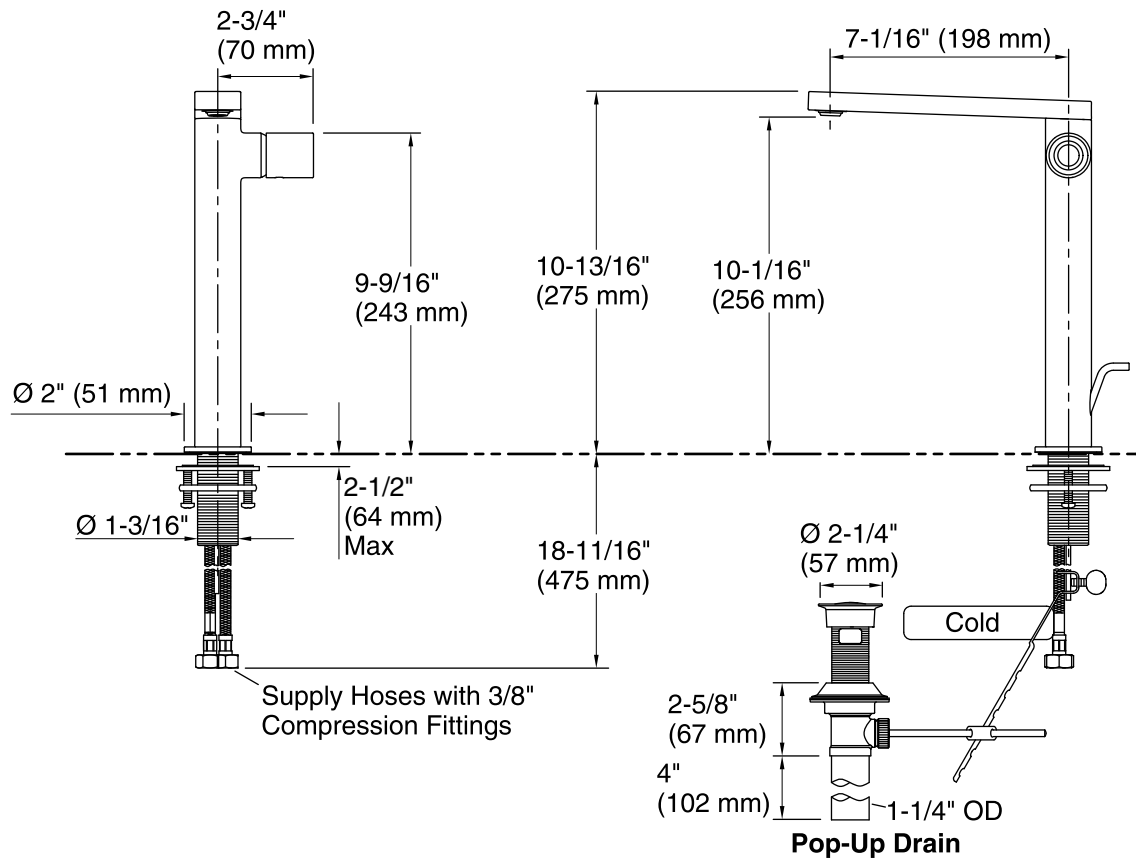
See website for detailed warranty information.

Available Color/Finishes

Color tiles intended for reference only.

Color	Code	Description
-------	------	-------------

	CP	Polished Chrome
	TT	Vibrant Titanium



Technical Information

All product dimensions are nominal.

Valve body: Cast Brass

Drain with overflow: YES

Drain tailpiece included: YES

included:

Spout:

Spout reach: 7-1/8" (181 mm)

Faucet:

Flow rate: 1.2 gal/min (4.5 l/min)

Pressure: 60 psi (4.1 bar)

Notes

Install this product according to the installation guide.

ADA compliant when installed to the specific requirements of these regulations.