



# STORE+™

## 48" Shower

### 72320100



### Features

- Customizable 8-shelf storage system.
- Holds up to 30 bottles.
- Easy to clean - removable accessories are dishwasher safe.
- Convenient molded-in shaving ledges.
- Modular design allows it to be moved around corners and through doorways with ease.
- Four-sided water containment with full-length threshold guard and weep channels for added protection.
- Low 3-inch profile for easy entry and exit.
- Durable high gloss finish.
- 48" (1220 mm) x 34" (864 mm) x 75 3/4" (1924 mm) shower finished dimensions.

### Material

- Compression molded from our exclusive Vikrell® material.

### Installation

- Caulk-free installation.
- Tongue-and-groove four-piece modular design allows for easy snap together installation.
- Sturdy accessories snap in place - No tools required.

### Components

Product includes:

- 72322100 48" Shower Back Wall
- 72321100 48" Shower Base
- 72305100 34" Shower End Wall Set



### Codes/Standards

CSA B45.5/IAPMO Z124  
ASTM E162  
ASTM E662  
Greenguard UL 2818 - Gold



### STERLING® Warranty - Fixtures Made of Solid Vikrell Material

See website for detailed warranty information.

### Available Color/Finishes

*Color tiles intended for reference only.*

Color	Code	Description
-------	------	-------------

- |  |    |         |
|--|----|---------|
|  | 0  | White   |
|  | 96 | Biscuit |

USA/Canada: 1-800-STERLING (1-800-783-7546)

Kohler Co. reserves the right to make revisions without notice to product specifications.

For the most current Specification Sheet, go to [www.sterlingplumbing.com](http://www.sterlingplumbing.com).

6-13-2016 05:35

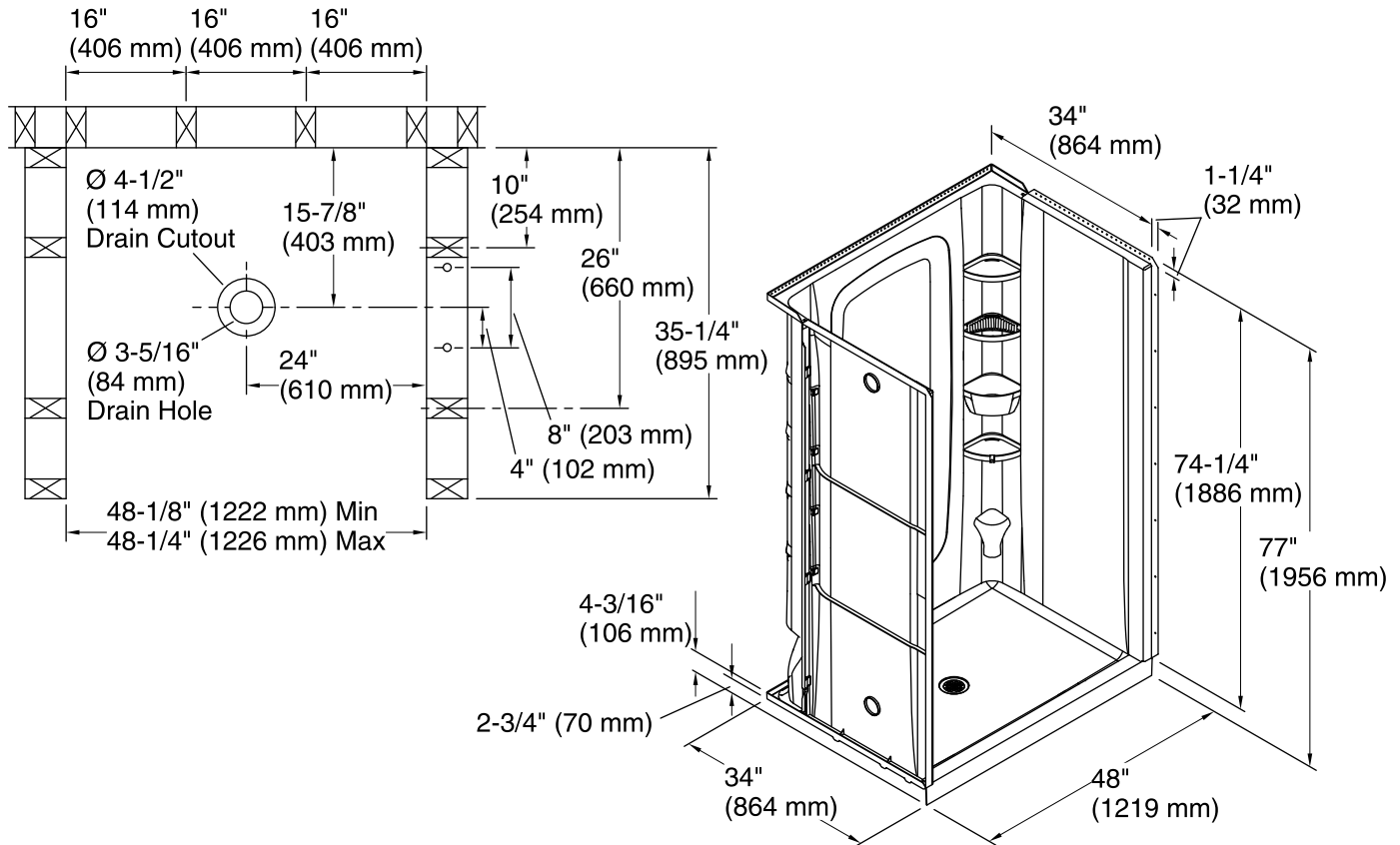
# STERLING

A KOHLER COMPANY

## STORE+™

### 48" Shower

### 72320100



### Technical Information

All product dimensions are nominal.

Drain location:	Center
Drain hole diameter:	3-5/16" (84 mm)
Basin area, bottom:	29-1/16" x 44-3/4" (739 mm x 1137 mm)
Basin area, top:	29-1/16" x 44-3/4" (739 mm x 1137 mm)
Weight:	108 lbs (49 kg)
Minimum flat for door:	2-1/2" (64 mm)
Door height required:	72-1/2" (1842 mm)
Door width required:	44-3/4" (1137 mm)

### Notes

Install this product according to the installation instructions.

Studs should be positioned roughly as shown.

Double studding is recommended for pivot shower door installations.