



STORE+™

60" Shower with Backer Boards
72330106



Features

- Customizable 8-shelf storage system.
- Holds up to 30 bottles.
- Easy to clean - removable accessories are dishwasher safe.
- Convenient molded-in shaving ledges.
- Modular design allows it to be moved around corners and through doorways with ease.
- Four-sided water containment with full-length threshold guard and weep channels for added protection.
- Low 3-inch profile for easy entry and exit.
- Durable high gloss finish.
- 60" (1524 mm) x 34" (864 mm) x 77" (1957 mm) shower finished dimensions.

Material

- Compression molded from our exclusive Vikrell® material.

Installation

- Tongue-and-groove four-piece modular design allows for easy snap together installation.
- Sturdy accessories snap in place - No tools required.
- Wall surround includes backer boards for future grab bar installation.
- Compatible with Sterling GUARD+ shower bases.



Codes/Standards

CSA B45.5/IAPMO Z124
ASTM E162
ASTM E662
Greenguard UL 2818 - Gold
CARB P2



STERLING® Warranty - Fixtures Made of Solid Vikrell Material

See website for detailed warranty information.

Available Color/Finishes

Color tiles intended for reference only.

Color	Code	Description
-------	------	-------------

- | | | |
|--|----|---------|
|  | 0 | White |
|  | 96 | Biscuit |

USA/Canada: 1-800-STERLING (1-800-783-7546)

Kohler Co. reserves the right to make revisions without notice to product specifications.

For the most current Specification Sheet, go to www.sterlingplumbing.com.

6-13-2016 05:36

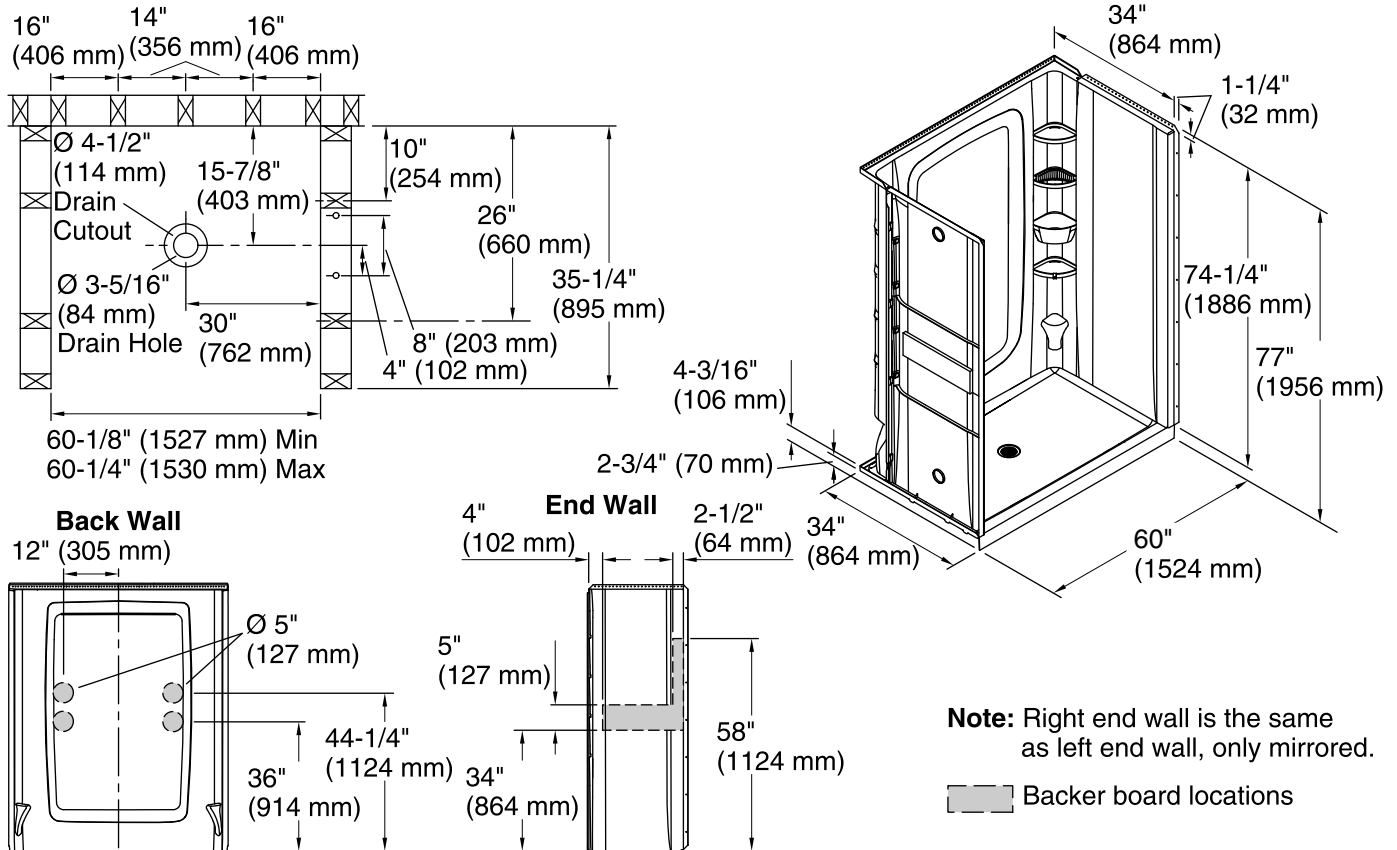
STERLING

A KOHLER COMPANY

STORE+™

60" Shower with Backer Boards

72330106



Technical Information

All product dimensions are nominal.

Drain hole diameter: 3-5/16" (84 mm)

Basin area, bottom: 29-3/16" x 56-3/4" (742 mm x 1441 mm)

Basin area, top: 29-3/16" x 56-3/4" (742 mm x 1441 mm)

Minimum flat for door: 2-1/2" (64 mm)

Door height required: 72-1/2" (1842 mm)

Door width required: 56-3/4" (1441 mm)

Notes

Install this product according to the installation instructions.

Studs should be positioned roughly as shown.

Double studding is recommended for pivot shower door installations.

Attach grab bars at the specified backer board locations only.

USA/Canada: 1-800-STERLING (1-800-783-7546)

Kohler Co. reserves the right to make revisions without notice to product specifications.

For the most current Specification Sheet, go to www.sterlingplumbing.com.

6-13-2016 05:36