



Features

- 16" soaking depth.
- Center drain.
- Bask® heated surface creates spa-like relaxation with soothing warmth on your back, shoulders, and neck.
- Integral lumbar support.
- Textured bottom surface.
- Wide ledge on one side is ideal for deck-mount faucet and/or handshower.
- 65-1/2" (1664 mm) x 35-1/2" (902 mm) x 24-1/2" (622)

Material

- Acrylic

Installation

- Freestanding
- PureFlo drains are not recommended for a deck-mount faucet installation.

Recommended Accessories

- K-7213 27" Cable Bath Drain
- K-7265 Clearflo Bath Drain
- K-37380 30" Rough-in Cable Bath Drain
- K-37383 30" Rough-in Cable Bath Drain
- K-37386 30" Rough-in Cable Bath Drain
- K-24916 Wireless Music Kit



Codes/Standards



- CSA B45.5/IAPMO Z124
- UL 1795
- CSA C22.2 No. 218.2
- Greenguard UL 2818 - Gold
- CARB P2

KOHLER® One-Year Limited Warranty

See website for detailed warranty information.

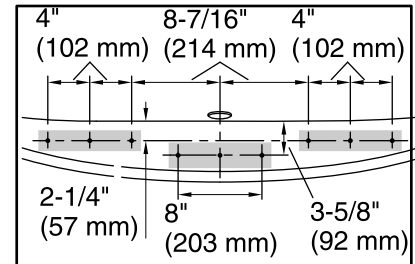
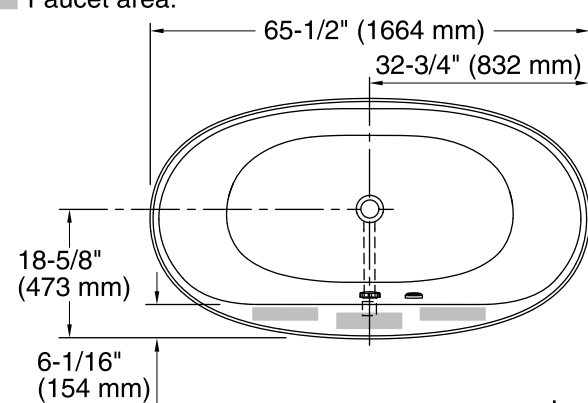
Available Color/Finishes

Color tiles intended for reference only.

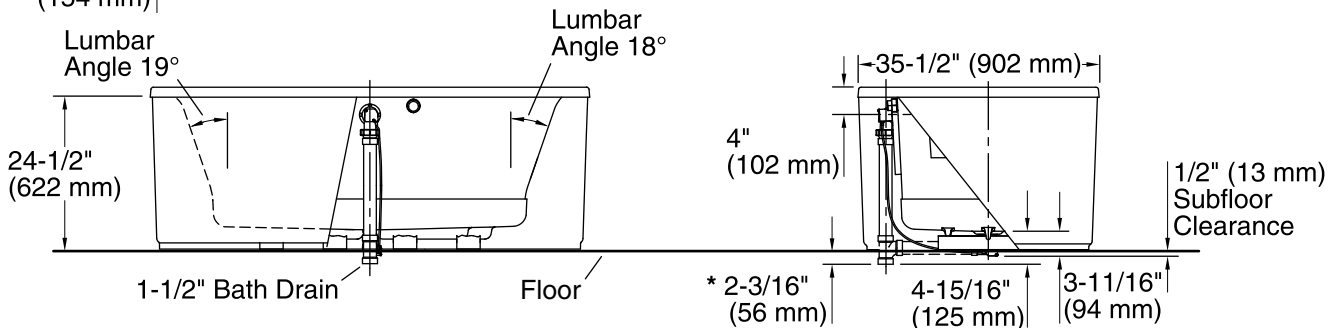
Color	Code	Description
	0	White
	96	Biscuit

No change in measurements if connected with drain illustrated. (K-7213)

■ Faucet area.



**Faucet Hole Locations
(For KOHLER® Brand Only)**



* Allow for appropriate clearance in subfloor for drain clearance.
Note: Horizontal PVC pipe and tee shown, not included.

Required Electrical Service

One circuit required, protected with Class A Ground-Fault Circuit-Interrupter (GFCI) or Residual Current Device (RCD).

Heated Surface: 120 V, 15 A, 60 Hz

Technical Information

All product dimensions are nominal.

- Installation: Freestanding
- Drain location: Center
- Basin area, bottom: 45-3/4" x 24-7/8" (1162 mm x 632 mm)
- Basin area, top: 54-7/8" x 29-3/16" (1394 mm x 741 mm)
- Weight: 91 lbs (41.3 kg)
- Minimum floor load: 40.4 lbs/ft² (197.3 kg/m²)
- Water depth: 16" (406 mm)
- Water capacity: 72.6 gal (274.8 L)
- Template: Footprint, 1244408-7, not required, not included
- Electrical component rating: Heated Surface: 120 V, 0.5 A, 50/60 Hz, 65 W
- Minimum flat for door: 0" (0 mm)

Notes

Measure your actual product for rough-in details.

Install this product according to the installation instructions.

The hot water supply should be 70% of the capacity of the bath or greater. Installations will vary.

Provide one grounded electrical outlet within 24" (610 mm) of each component.