



#### Features

- Freestanding design creates a striking focal point in your bathing area.
- 17" soaking depth.
- Center drain.
- Bask® heated surface creates spa-like relaxation with soothing warmth on your back, shoulders, and neck.
- Integral lumbar support.
- Textured bottom surface.
- Wide ledge on one side is ideal for deck-mount faucet and/or handshower.

#### Material

- Acrylic

#### Installation

- Freestanding
- PureFlo drains are not recommended for a deck-mount faucet installation

#### Recommended Accessories

- K-7213 27" Cable Bath Drain
- K-7265 Clearflo Bath Drain
- K-37380 30" Rough-in Cable Bath Drain
- K-37383 30" Rough-in Cable Bath Drain
- K-37386 30" Rough-in Cable Bath Drain
- K-24916 Wireless Music Kit



#### Codes/Standards

- CSA B45.5/IAPMO Z124
- UL 1795
- CSA C22.2 No. 218.2
- Greenguard UL 2818 - Gold
- CARB P2



#### KOHLER® One-Year Limited Warranty

See website for detailed warranty information.

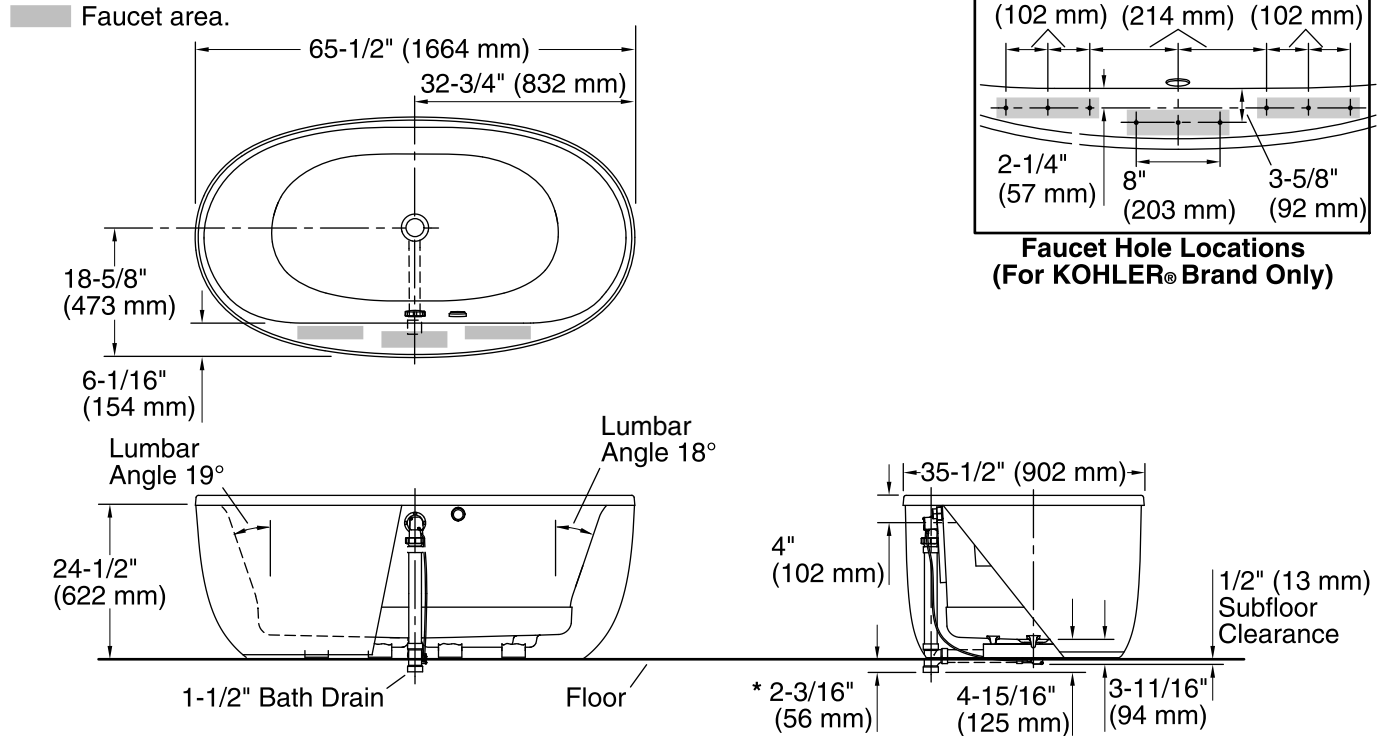
#### Available Color/Finishes

*Color tiles intended for reference only.*

| Color | Code | Description |
|-------|------|-------------|
|-------|------|-------------|

- |  |    |         |
|--|----|---------|
|  | 0  | White   |
|  | 96 | Biscuit |

No change in measurements if connected with drain illustrated. (K-7213)



\* Allow for appropriate clearance in subfloor for drain clearance.

Note: Horizontal PVC pipe and tee shown, not included.

### Required Electrical Service

One circuit required, protected with Class A Ground-Fault Circuit-Interrupter (GFCI) or Residual Current Device (RCD).

Heated Surface: 120 V, 15 A, 60 Hz

### Technical Information

All product dimensions are nominal.

|                              |   |
|------------------------------|---|
| Installation:                | Freestanding  |
| Drain location:              | Center  |
| Basin area, bottom:          | 45-3/4" x 24-7/8" (1162 mm x 632 mm)                |
| Basin area, top:             | 54-7/8" x 29-3/16" (1394 mm x 741 mm)               |
| Weight:                      | 91 lbs (41.3 kg)                                    |
| Minimum floor load:          | 40.4 lbs/ft <sup>2</sup> (197.3 kg/m <sup>2</sup> ) |
| Water depth:                 | 16" (406 mm)  |
| Water capacity:              | 72.6 gal (274.8 L)                                  |
| Template:                    | Footprint, 1244408-7, not required, not included    |
| Electrical component rating: | Heated Surface: 120 V, 1.1 A, 50/60 Hz, 65 W        |
| Minimum flat for door:       | 0" (0 mm)   |

### Notes

Measure your actual product for rough-in details.

Install this product according to the installation instructions.

The hot water supply should be 70% of the capacity of the bath or greater. Installations will vary.

Provide one grounded electrical outlet within 24" (610 mm) of each component.