



Shagreen Caxton™ Oval

Bathroom sink

K-77635

Features

- Without overflow.

Material

- Vitreous china with decorative design.

Installation

- Under-mount
- 17x14" countertop cut-out.

Recommended Accessories

K-8998 P-Trap

Components

Additional included component/s: 1193643 Basin Clamps.



ADA

CSA B651

Codes/Standards

ASME A112.19.2/CSA B45.1

ADA

ICC/ANSI A117.1

CSA B651



KOHLER® One-Year Limited Warranty

See website for detailed warranty information.

Available Color/Finishes

Color tiles intended for reference only.

Color	Code	Description
-------	------	-------------

	SSP	Oyster Pearl
	TB2	Ebony Pearl

USA/Canada: 1-800-4KOHLER (1-800-456-4537)

Kohler Co. reserves the right to make revisions without notice to product specifications.

For the most current Specification Sheet, go to www.kohler.com.

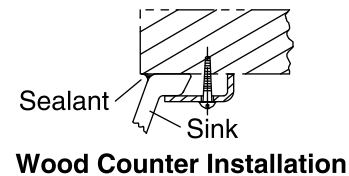
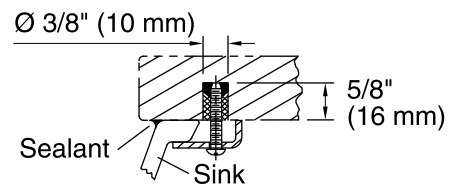
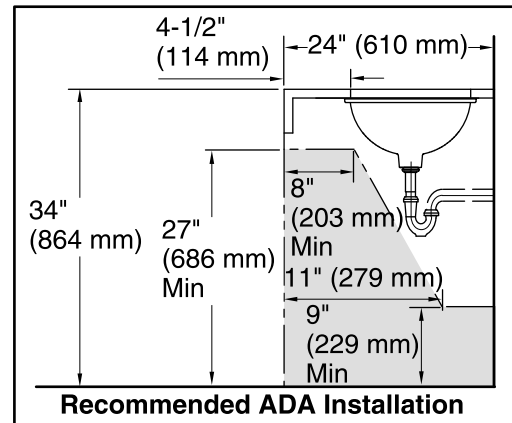
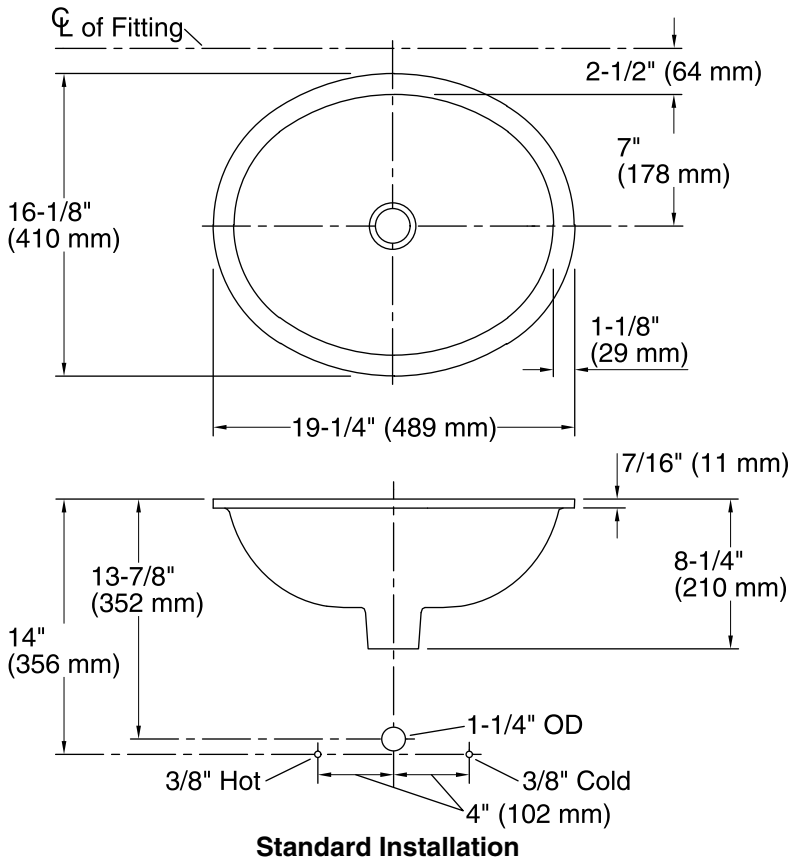
9-11-2017 03:11

THE BOLD LOOK
OF **KOHLER**®



Shagreen Caxton™ Oval

Bathroom sink
K-77635



Technical Information

All product dimensions are nominal.

Installation:	Under-mount
Bowl area	Length: 17" (432 mm) Width: 14" (356 mm) Water depth: 4" (102 mm)
Drain hole:	1-3/4" (44 mm)
Template:	1151011-7, required, not included

Notes

Install this product according to the installation instructions.

NOTICE: Countertop manufacturer or cutter must use the current product template available at www.kohler.com, or by calling 1-800-4KOHLER. Kohler Co. is not responsible for cutout errors when the incorrect cutout template is used.

ADA, CSA B651 compliant when installed to the specific requirements of these regulations.