

Features

- Two-handle widespread faucet for 8" - 16" centers.
- Two lever handles offer separate control of hot and cold water.
- Ceramic disc valves exceed industry longevity standards, ensuring durable performance for life.
- Premium KOHLER finishes with ScratchShield® technology withstands even the toughest daily use.
- 1.2 gpm (gallons per minute) maximum flow rate.

Material

- Constructed with premium materials for durability and reliability.

Installation

- Simplified faucet assembly; mounting hardware requires no special tools.
- Handles come pre-assembled on valves to simplify installation.

Water Conservation & Rebates

- WaterSense®-labeled faucets use at least 30 percent less water than standard 2.2-gpm faucets while still meeting strict performance guidelines.

Loose component/s: Gasket, Aerator Key, Valve Hoses, and Y Connector.



ADA

CSA B651

OBC

Codes/Standards

ASME A112.18.1/CSA B125.1

NSF 61

NSF 372

All applicable US Federal and State material regulations

DOE - Energy Policy Act 1992

EPA WaterSense®

California Energy Commission (CEC)

ADA

ICC/ANSI A117.1

CSA B651

OBC

KOHLER® Faucet Lifetime Limited Warranty

See website for detailed warranty information.

Available Color/Finishes

Color tiles intended for reference only.

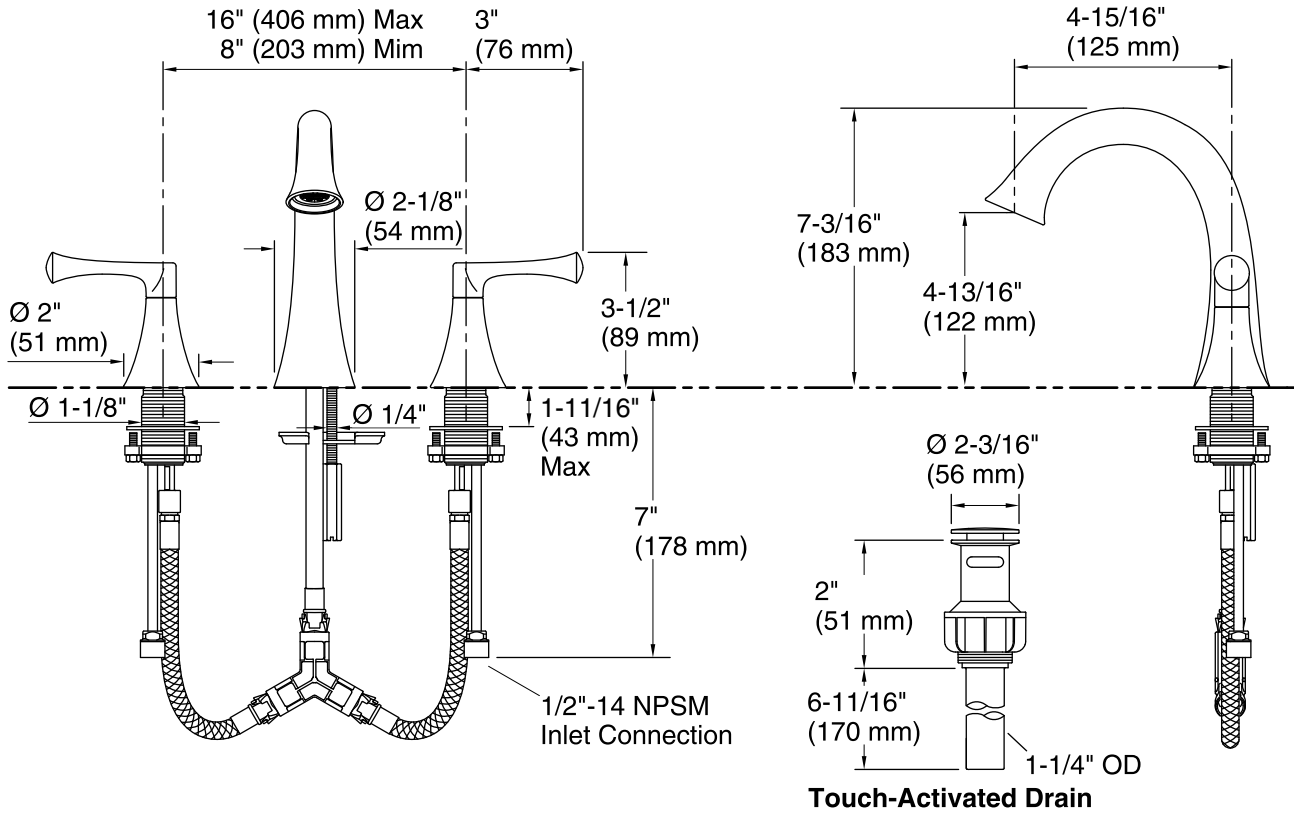
Color	Code	Description
-------	------	-------------



CP Polished Chrome



BN Vibrant® Brushed Nickel



Technical Information

All product dimensions are nominal.

Drain included: YES

Faucet:

Flow rate: 1.2 gal/min (4.5 l/min)

Pressure: 60 psi (4.1 bar)

Notes

Install this product according to the installation instructions.

ADA, OBC, CSA B651 compliant when installed to the specific requirements of these regulations.