

Features

- Two-handle centerset faucet for 4-inch centers.
- Two lever handles offer separate control of hot and cold water.
- Ceramic disc valves exceed industry longevity standards, ensuring durable performance for life.
- Premium KOHLER finishes with ScratchShield® technology withstands even the toughest daily use.
- 1.2 gpm (gallons per minute) maximum flow rate.

Material

- Constructed with premium materials for durability and reliability.

Installation

- Simplified faucet assembly; mounting hardware requires no special tools.

Water Conservation & Rebates

- WaterSense®-labeled 1.2gpm faucets use at least 45 percent less water than standard 2.2-gpm faucets while still meeting strict performance guidelines.
- This product can help a building earn Water Efficiency points in the LEED® Green Building Rating System.



ADA **CSA B651**

Codes/Standards

ASME A112.18.1/CSA B125.1

NSF 61

NSF 372

All applicable US Federal and State material regulations

DOE - Energy Policy Act 1992

EPA WaterSense®

California Energy Commission (CEC)

ADA

ICC/ANSI A117.1

CSA B651

KOHLER® Faucet Lifetime Limited Warranty

See website for detailed warranty information.

Available Color/Finishes

Color tiles intended for reference only.

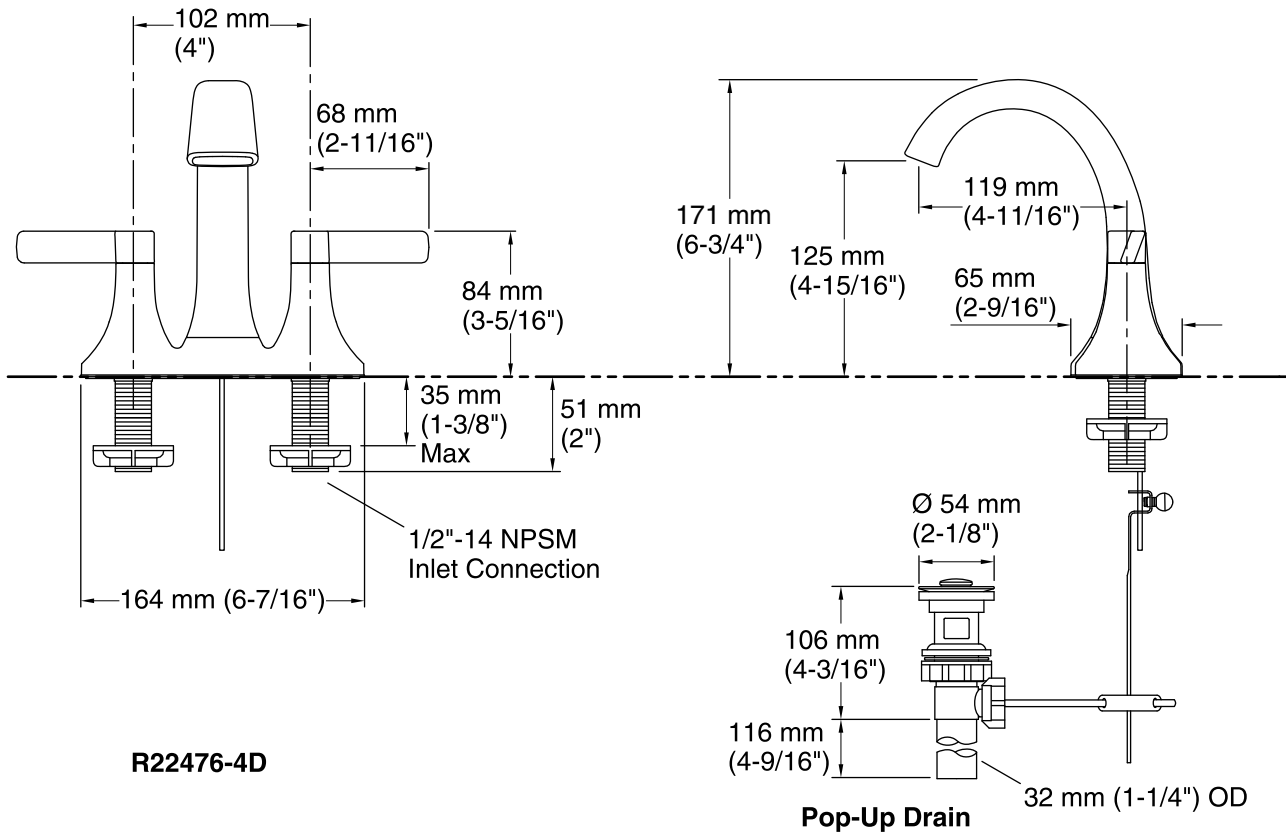
Color	Code	Description
-------	------	-------------



CP Polished Chrome



BN Vibrant® Brushed Nickel



R22476-4D

Pop-Up Drain

Technical Information

All product dimensions are nominal.

Valve body: Plastic
 Drain included: YES
 Drain with overflow: YES
 Drain tailpiece included: YES

Spout:

Spout reach: 4-11/16" (119 mm)
 Handle clearance: 2-11/16" (69 mm)

Faucet:

Flow rate: 1.2 gal/min (4.5 l/min)
 Pressure: 60 psi (4.1 bar)

Notes

Install this product according to the installation instructions.

ADA, CSA B651 compliant when installed to the specific requirements of these regulations.