

## Features

- Vitreous China.
- Comfort Height® Elongated bowl.
- Class Five® flushing system.
- Includes Left-hand polished chrome trip lever.
- 1.28 gpf (4.8 lpf).
- 2-1/8" fully glazed trapway.
- 12" (305 mm) rough-in.
- Less supply.
- Includes K-4774 seat.
- 11" (279mm) x 8-3/4"(222 mm) water area.
- 30" (762mm) x 16-3/4" (425mm) x 30-1/2" (775mm).
- Floor mount/ Floor Outlet.

## Recommended Accessories

- K-7637 Angle Supply with Stop (single)
- K-4108 Toilet Seat with Cleansing Functionality

## Components

Product includes:

K-4774 Toilet Seat

Additional included component/s: Tank cover, Trip lever, Tank accessory pack, Bolt cap accessory pack, and wax ring.



ADA

CSA B651

OBC

## Codes/Standards



ASME A112.19.2/CSA B45.1  
DOE - Energy Policy Act 1992  
EPA WaterSense®  
California Energy Commission (CEC)  
ADA  
ICC/ANSI A117.1  
CSA B651  
OBC

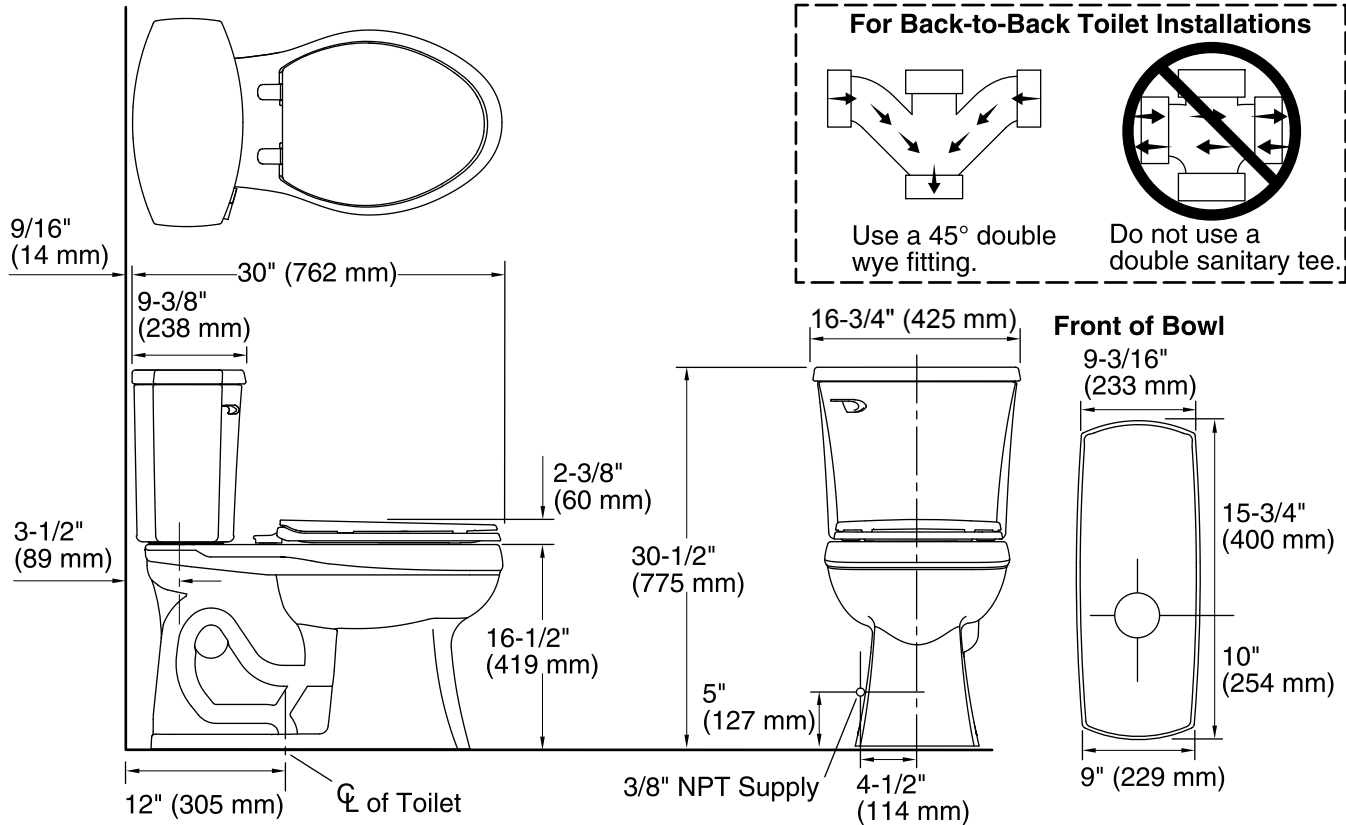
See website for detailed warranty information.

## Available Color/Finishes

*Color tiles intended for reference only.*

Color	Code	Description
-------	------	-------------

	0	White
	96	Biscuit



## Technical Information

All product dimensions are nominal.

Toilet type:	Two-piece, Floor-mount
Waste Outlet:	Floor
Bowl shape:	Elongated front
Flush type:	Class Five
Trap passageway:	2-1/8" (54 mm)
Water Consumption	
Full:	1.28 gpf (4.8 lpf)
Water surface size:	11" x 8-3/4" (279 mm x 222 mm)
Rim to water surface:	6" (152 mm)
Rough-in:	12" (305 mm)
Seat-mounting holes:	5-1/2" (140 mm)

## Notes

Install this product according to the installation instructions.

For back-to-back toilet installations: Use only a 45° double wye fitting.

ADA, OBC, CSA B651 compliant when installed to the specific requirements of these regulations.

Plumbing Codes require elongated toilets and elongated, open-front toilet seats in public bathrooms.

Accessibility standards require controls to be located on the open side of the toilet.