

# RF31FMEDBSR

30 cu. ft. 4-Door Refrigerator with FlexZone™ Drawer

## Features

- Ultra-High Capacity – 30 cu. ft.
- Twin Cooling Plus™
- Ice Master Ice Maker in the Refrigerator
- ENERGY STAR® Compliant
- FlexZone™ Drawer with Temperature Control and Smart Divider
- High-Efficiency LED Lighting
- Slide-In/Flip-Up Shelf
- Stainless Steel Accents on Interior Shelving and Door Bins
- EZ-Open Handle™ on FlexZone™ Drawer and Freezer Door
- Stainless-Look Display
- Tempered Glass Spill-Proof Shelves
- Flip-Up Shelves
- Slide-Out Shelves
- Gallon Door Bins
- Two Humidity-Controlled Crispers
- Auto Pull-Out Upper Freezer Drawer

## Convenience

- Door Alarm
- Water Filter Indicator



ENERGY STAR® rated: CEE Tier 1  
(10% more efficient than Federal Standard)  
740 kWh/yr



French Door Design



FlexZone™ Drawer with Temperature Control and Smart Divider

## Available Colors



Stainless Steel  
(shown)



White



Black

## Signature Features

### ULTRA-HIGH CAPACITY SAVES YOU TRIPS TO THE MARKET

- Our 30 cu. ft.<sup>1</sup> ultra-high capacity Four-Door has enough room to fit up to 30 bags of groceries.<sup>2</sup>

<sup>1</sup> Actual size is 29.7 cu. ft.

<sup>2</sup> Grocery comparison based on each cubic foot of usable space equaling one paper bag.

### FLEXZONE™ DRAWER

- Adjustable SmartDivider creates four flexible-size compartments.
- Four customizable temperature settings: meats at 29°F, cold drinks at 33°F, deli/snacks at 37°F, and party dishes at 42°F.
- Convenient, counter-height drawer easily accessible for kids.

### UP TO 10 LBS. OF ICE DAILY FOR FAMILY AND FRIENDS

- Produces up to 10 lbs. of ice per day.
- Stores up to 4.2 lbs. of ice.
- Space-saving design leaves more room in the refrigerator.



Ranked **“Highest in customer satisfaction with French Door refrigerators, in a tie.”\***

—J.D. Power

**SAMSUNG**

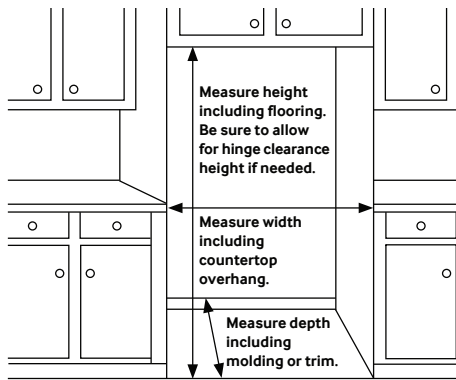
# RF31FMEDBSR

30 cu. ft. 4-Door Refrigerator with FlexZone™ Drawer

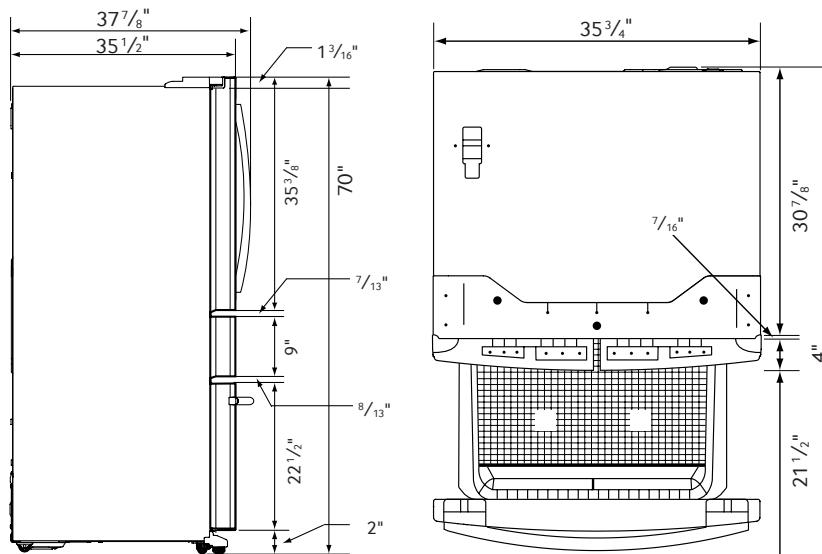
## Installing Your Refrigerator

1. Measure the height, width and depth of the opening, making sure to include baseboards, molding tile, countertop overhang, etc. Check to be sure there is enough room to open the door (consider walls, islands or other obstacles when measuring).
2. Refer to illustration below to determine dimensions.
3. Allow 2" of clearance on hinge side of refrigerator when installing next to a wall where handle may make contact.
4. Allow 1" minimum clearance at rear for proper air circulation and water/electrical connections. Allow a 3/8" minimum clearance at sides and top for ease of installation.
5. Ensure each door and entry way in the home is wide enough for the refrigerator to be moved through easily.

Please note: The following dimension and cutout information is for planning purposes only. For complete installation details consult manual packed with product, or download manual on-line at [samsung.com](http://samsung.com).



## Dimensions



## Total Capacity: 29.7 cu. ft.

### Refrigerator: 16.6 cu. ft.

- Premium External Filtered Water and Ice Dispenser
  - Crushed or Cubed Ice
- Ice Master Ice Maker
- High-Efficiency LED Lighting
- 2 Humidity-Controlled Crispers
- 5 Tempered Glass Spill-Proof Shelves
  - 2 Slide-Out
  - 1 Slide-in/Flip-up
  - 1 Flip-Up
  - 1 Full Width
- 6 Clear Door Bins
  - Right Door: 3 Gallon Bins
  - Left Door: 3 Regular Bins

### FlexZone Drawer: 4.1 cu. ft.

- EZ-Open Handle™
- 4 Temperature Zones with Smart Divider:
  - Meat/Fish (29°F)
  - Cold Drinks (33°F)
  - Deli/Snacks (37°F)
  - Wine/Party Dishes (42°F)

### Freezer: 9.0 cu. ft.

- 1 Large Guard Freezer Bin
- Auto Pull-Out Upper Drawer
- High-Efficiency LED Lighting
- EZ-Open Handle

## Accessories

Water Filter: HAF-CIN

## Warranty

One (1) Year Parts and Labor on Refrigerator  
Five (5) Years Parts and Labor on Sealed Refrigeration System Only\*  
Ten (10) Years Parts and Five (5) Years Labor on Digital Inverter Compressor

\*Compressor, evaporator, condenser, drier, connecting tubing

## Product Dimensions & Weight

Dimensions (WxHxD with hinges, handles and doors):  
35 3/4" x 70" x 37 7/8"

Dimensions (WxHxD without hinges and door):  
35 3/4" x 68 7/8" x 30 7/8"

Dimensions (WxHxD with hinge and door, no handle):  
35 3/4" x 70" x 35 1/2"

Weight: 399.0 lbs.

## Shipping Dimensions & Weight (WxHxD)

Dimensions: 38 1/4" x 76 5/8" x 38 1/4"

Weight: 423.3 lbs.

Color	Model #	UPC Code
Stainless Steel	RF31FMEDBSR/AA	0887276025278
White	RF31FMEDBWW/AA	0887276025261
Black	RF31FMEDBCC/AA	0887276025254

**SAMSUNG**

\*Samsung received the highest numerical score for French door refrigerators in a tie in the proprietary J.D. Power 2014 Kitchen Appliance Study<sup>SM</sup>. Study based on 15,380 total responses measuring 10 French door refrigerator brands and measures opinions of consumers about their new appliance purchased in the past 24 months. Proprietary study results are based on experiences and perceptions of consumers surveyed in January-March 2014. Your experiences may vary. Visit [jdpower.com](http://jdpower.com).

Actual color may vary. Design, specifications, and color availability are subject to change without notice. Non-metric weights and measurements are approximate.

©2014 Samsung Electronics America, Inc. 85 Challenger Road, Ridgefield Park, NJ 07660. Tel: 800-SAMSUNG. [samsung.com](http://samsung.com). Samsung is a registered trademark of Samsung Electronics Co. Ltd.