

MC17J8000CS

SAMSUNG

1.7 cu. ft. Over-the-Range Convection Microwave



Signature Features

Convection

- Enjoy the flexibility to microwave, bake, broil and roast – all from one appliance. With the combination of convection cooking and microwave heating, food cooks faster and more evenly than a traditional microwave.

Slim Fry™

- Prepare great-tasting, healthier foods without added oil.
- Prepare fried food with reduced fat.*

*Compared to deep-fry cooking method.

Ceramic Enamel Interior

- Scratch-resistant and easy-to-clean interior.
- Makes removing grease or oil effortless and protects against scratches from daily use.

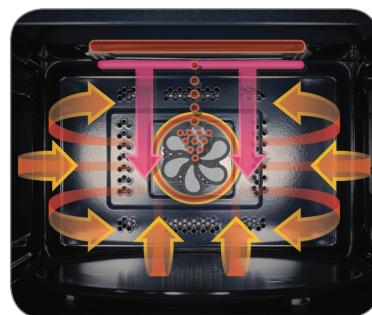
1.7 Cu. Ft. Capacity

- The 1.7 cu. ft. capacity of this microwave accommodates a variety of snacks and meal items and lets you prepare foods quickly and easily.

Available Colors

 Fingerprint Resistant
Stainless Steel (shown)

 Fingerprint Resistant
Black Stainless Steel



Convection Cooking



Slim Fry™

Features

- Convection
- Slim Fry™
- Ceramic Enamel Interior
- 1.7 cu. ft. Oven Capacity
- 3-Speed/300 CFM Ventilation System
- Cooking Preset
- Eco Mode (Reduces Standby Power)
- Turntable On/Off
- 10 Power Levels
- Two-Stage Programmable Cooking
- Auto Cook
- Auto Defrost
- Microwave Distribution System: Turntable
- Charcoal/Grease Vent Filter
- Steam Clean

Convenience

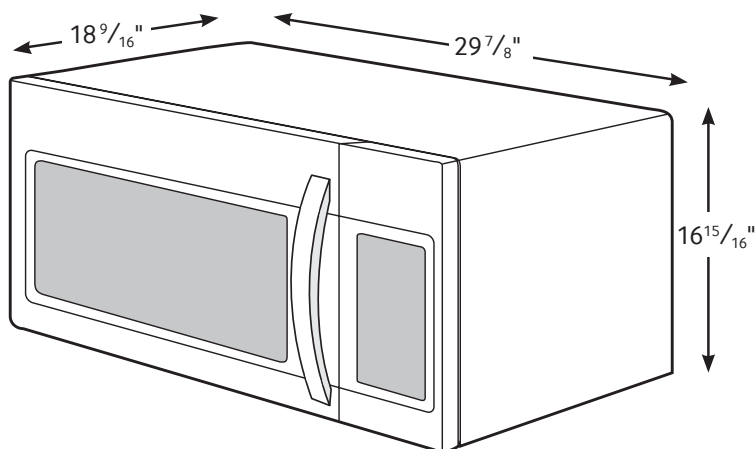
- Clock (12 hr/24 hr) with Daylight Saving Time Adjustment
- Kitchen Timer
- End Signal
- Interior Light: Halogen (1)
- Cooktop Lighting (Incandescent): High/Low/Off
- Vent Fan Control: High/Middle/Low/Off
- Child Safety Lock
- Sound On/Off

MC17J8000CS

SAMSUNG

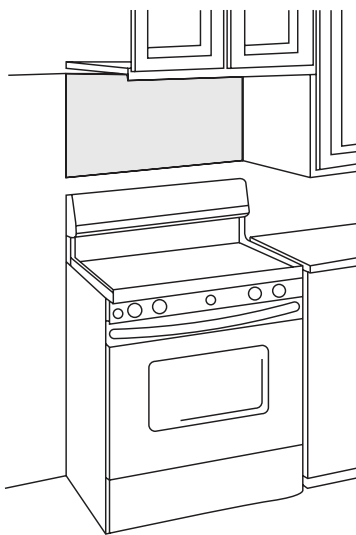
1.7 cu. ft. Over-the-Range Convection Microwave

Dimensions



Installing Your Microwave

- This microwave oven is designed for adaptation to the following three types of ventilation:
 - A. Outside Top Exhaust (Vertical Duct)
 - B. Recirculating (Non-Vented Ductless)
 - C. Outside Back Exhaust (Horizontal Duct)
- The space between the cabinets must be 30" wide and free of obstructions.
- This microwave oven is for installation over ranges up to 36" wide.
- The microwave must be level. Use a level to make sure the cabinet bottom is level. If the cabinets have a front overhang only, with no back or side frame, install the mounting plate down the same distance as the front overhang depth. This will keep the microwave level.



Specifications

- Oven Cavity: 1.7 cu. ft.
- Power Output:
 - Microwave: 950W
 - Convection: 1790W
- Power Consumption: 1700W/14.2 A
- Power Source: 120V/60 Hz
- Control Method: Digital (Membrane Touch)
- Display: LED
- Cooking Control: 10 Power Levels Including Defrost
- Cooking Timer: Digital, up to 99 Minutes, 99 Seconds
- Microwave Distribution System: Turntable
- Glass Turntable Diameter: 13 9/16"
- Vent Fan: 3-Speed/300 CFM
- Vent Fan Control: High/Middle/Low/Off
- Cooktop Lighting: High/Low/Off

Warranty

One (1) Year All Parts and Labor
Ten (10) Years Parts on Magnetron

Product Dimensions & Weight (WxHxD)

Cavity Dimensions: 20 1/8" x 10 5/16" x 14"
Outside Net Dimensions: 29 7/8" x 16 15/16" x 18 9/16"
Weight: 74.4 lbs.

Shipping Dimensions & Weight (WxHxD)

Dimensions: 33 3/8" x 20 13/16" x 19 3/8"
Weight: 85.8 lbs.

Color

Fingerprint Resistant
Stainless Steel

Model

MC17J8000CS

UPC Code

887276063928

Fingerprint Resistant
Black Stainless Steel

MC17J8000CG

887276184302

FOR EASIER INSTALLATION AND PERSONAL SAFETY, WE RECOMMEND THAT TWO PEOPLE INSTALL THIS MICROWAVE OVEN. IMPORTANT: Do not grip or use handle during installation.

NOTE: If your cabinet is metal, use the nylon grommet around the power cord hole to prevent cutting of the cord.

NOTE: We recommend using filler blocks if the cabinet front hangs below the cabinet bottom shelf.

IMPORTANT: If filler blocks are not used, case damage may occur from overtightening screws.

NOTE: When mounting the microwave oven, thread power cord through hole in bottom of top cabinet. Do not pinch cord or lift oven by pulling cord.