

# RH30H9500SR

29.5 cu. ft. Side-by-Side Refrigerator with Food ShowCase Fridge Door

## Features

- Large Capacity – 29.5 cu. ft.
- Food ShowCase Fridge Door
- Metal Cooling
- External Filtered Water and Ice Dispenser
- Dual Tower LED Lighting
- Twin Cooling Plus®
- ENERGY STAR®-Compliant
- In-door Ice Maker
- Power Freeze and Power Cool Options
- Tempered Glass Shelves

## Convenience

- Cool Tight Door
- Energy Saver
- Dispenser Light
- Door Alarm
- Water Filter Indicator
- Child Lock



**ENERGY STAR®-rated:**  
687 kWh/yr



Food ShowCase Fridge Door



External Filtered Water and Ice Dispenser

## Available Color



Stainless Steel

## Signature Features

### FOOD SHOWCASE FRIDGE DOOR

- Food ShowCase Fridge Door gives you easy reach of key items that are most often used, all visible in one glance.

### METAL COOLING

- Locks in cold, seals in freshness.
- Stainless steel paneling helps maintain consistent temperature throughout the refrigerator.

### LARGE CAPACITY

- Beautiful and sleek designs that fit any kitchen décor. Fits up to 29.5 bags of groceries.\* More space inside, not outside.

\* Grocery comparison based on each cubic foot of usable space equaling one paper bag

**SAMSUNG**

# RH30H9500SR

## 29.5 cu. ft. Side-by-Side Refrigerator with Food ShowCase Fridge Door

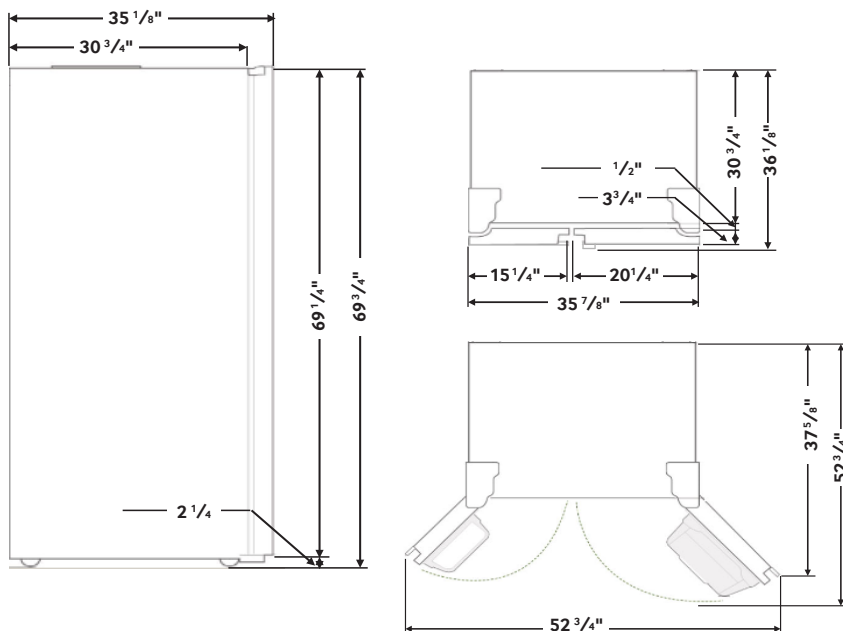
### Installing Your Refrigerator

1. Measure the height, width and depth of the opening, making sure to include baseboards, molding tile, countertop overhang, etc. Check to be sure there is enough room to open the door (consider walls, islands or other obstacles when measuring).
2. Refer to illustration below to determine dimensions.
3. Allow 2" of clearance on hinge side of refrigerator when installing next to a wall where handle may make contact.
4. Allow 1" minimum clearance at rear for proper air circulation and water/electrical connections. Allow a 3/8" minimum clearance at sides and top for ease of installation.
5. Ensure each door and entry way in the home is wide enough for the refrigerator to be moved through easily.

Please note: The following dimension and cutout information is for planning purposes only. For complete installation details consult manual packed with product, or download manual online at [samsung.com](http://samsung.com).



### Dimensions



### Total Capacity: 29.5 cu. ft.

#### Refrigerator: 18.7 cu. ft.

- Food ShowCase Fridge Door
- 4 Tempered Shelves (Trim on front and back)
- 3 Clear Crispers
- 4 Door Bins
- 2 Slide-Out Drawers
- Dual Tower LED Lighting

#### Freezer: 10.8 cu. ft.

- External Filtered Water and Ice Dispenser (Crushed or Cubed Ice)
- Automatic In-Door Ice Maker
- 2 Clear Drawers
- 5 Glass Shelves
- 3 Clear Door Bins
- Dual Tower LED Lighting

### Accessories

Water Filter: HAF-CIN/EXP

### Warranty

One (1) Year Parts and Labor on Refrigerator

Five (5) Years Parts and Labor on Sealed Refrigeration System Only\*

Ten (10) Years Parts and Five (5) Years Labor on Digital Inverter Compressor

\*Compressor, evaporator, condenser, drier, connecting tubing

### Product Dimensions & Weight

Dimensions (WxHxD with hinges, handles and doors): 35 7/8" x 69 3/4" x 36 1/8"

Dimensions (WxHxD without hinges and door): 35 7/8" x 69 1/4" x 30 3/4"

Dimensions (WxHxD with hinge and door, no handle): 35 7/8" x 69 3/4" x 36 1/8"

Weight: 396.8 lbs.

### Shipping Dimensions & Weight (WxHxD)

Dimensions: 38 17/64" x 75 5/32" x 39 1/64"

Weight: 429.9 lbs.

Color	Model #	UPC Code
Stainless Steel	RH30H9500SR	887276093192

**SAMSUNG**

Actual color may vary. Design, specifications, and color availability are subject to change without notice. Non-metric weights and measurements are approximate.

©2015 Samsung Electronics America, Inc. 85 Challenger Road, Ridgefield Park, NJ 07660. Tel: 800-SAMSUNG. [samsung.com](http://samsung.com). Samsung is a registered trademark of Samsung Electronics Co. Ltd.