

# RH25H5611SR

24.7 cu. ft. Side-by-Side Refrigerator with Food ShowCase Fridge Door

## Features

- Large Capacity – 24.7 cu. ft.
- Food ShowCase Fridge Door
- External Filtered Water and Ice Dispenser
- Metal Cooling
- Tower LED Lighting
- Twin Cooling System®
- ENERGY STAR®-Compliant
- In-door Ice Maker
- Power Freeze and Power Cool Options
- Tempered Glass Spill-Proof Shelves

## Convenience

- Cool Tight Door
- Energy Saver
- Dispenser Light
- Door Alarm
- Water Filter Indicator
- Child Lock



ENERGY STAR®-rated:  
640 kWh/yr



Food ShowCase Fridge Door



External Filtered Water and Ice Dispenser

## Available Colors



Stainless Steel



White



Black

## Signature Features

### FOOD SHOWCASE FRIDGE DOOR

- Food ShowCase Fridge Door gives you easy reach of key items that are most often used, all visible in one glance.

### METAL COOLING

- Locks in cold, seals in freshness.
- Stainless steel paneling helps maintain consistent temperature throughout the refrigerator.

### LARGE CAPACITY

- Beautiful and sleek designs that fit any kitchen décor. Fits up to 24.7 bags of groceries.\*  
More space inside, not outside.

\* Grocery comparison based on each cubic foot of usable space equaling one paper bag.

**SAMSUNG**

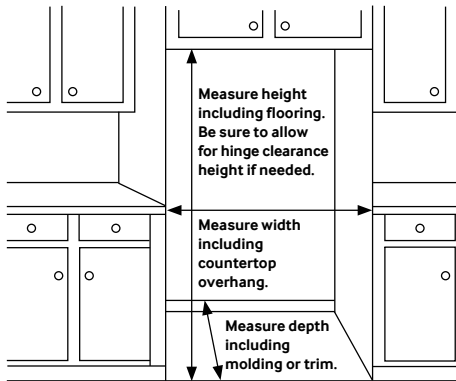
# RH25H5611SR

## 24.7 cu. ft. Side-by-Side Refrigerator with Food ShowCase Fridge Door

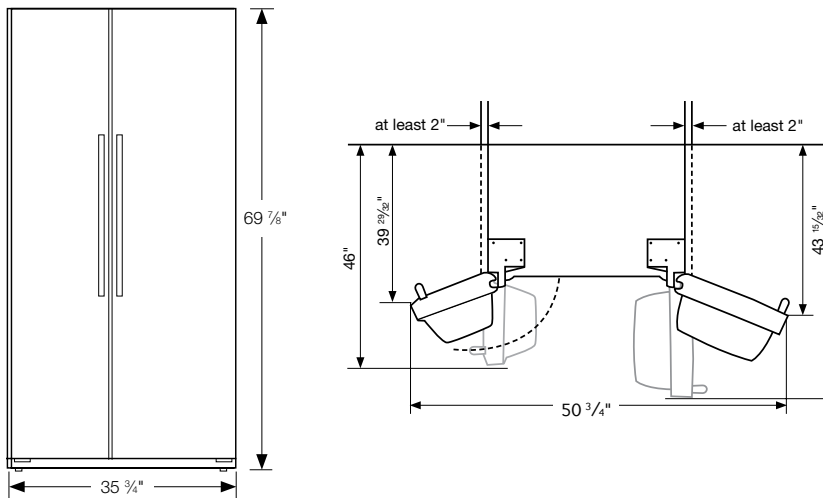
### Installing Your Refrigerator

1. Measure the height, width and depth of the opening, making sure to include baseboards, molding tile, countertop overhang, etc. Check to be sure there is enough room to open the door (consider walls, islands or other obstacles when measuring).
2. Refer to illustration below to determine dimensions.
3. Allow 2" of clearance on hinge side of refrigerator when installing next to a wall where handle may make contact.
4. Allow 1" minimum clearance at rear for proper air circulation and water/electrical connections. Allow a 3/8" minimum clearance at sides and top for ease of installation.
5. Ensure each door and entry way in the home is wide enough for the refrigerator to be moved through easily.

Please note: The following dimension and cutout information is for planning purposes only. For complete installation details consult manual packed with product, or download manual on-line at [samsung.com](http://samsung.com).



### Dimensions



### Total Capacity: 24.7 cu. ft.

#### Refrigerator: 15.6 cu. ft.

- Food ShowCase Fridge Door
- 4 Tempered Glass Spill-Proof Shelves
- 3 Clear Crispers
- 5 Door Bins
- Tower LED Lighting

#### Freezer: 9.1 cu. ft.

- External Filtered Water and Ice Dispenser (Crushed or Cubed Ice)
- Automatic In-Door Ice Maker
- 2 Clear Drawers
- 4 Glass Shelves
- 3 Clear Door Bins
- Tower LED Lighting

### Accessories

Water Filter: HAF-CIN/EXP

### Warranty

One (1) Year Parts and Labor on Refrigerator

Five (5) Years Parts and Labor on Sealed Refrigeration System Only\*

Ten (10) Years Parts and Five (5) Years Labor on Digital Inverter Compressor

\*Compressor, evaporator, condenser, drier, connecting tubing

### Product Dimensions & Weight

Dimensions (WxHxD with hinges, handles and doors):

35<sup>3</sup>/<sub>4</sub>" x 69<sup>7</sup>/<sub>8</sub>" x 36<sup>39</sup>/<sub>64</sub>"

Dimensions (WxHxD without hinges and door):

35<sup>3</sup>/<sub>4</sub>" x 68<sup>1</sup>/<sub>2</sub>" x 29<sup>1</sup>/<sub>8</sub>"

Dimensions (WxHxD with hinge and door, no handle):

35<sup>3</sup>/<sub>4</sub>" x 69<sup>7</sup>/<sub>8</sub>" x 34<sup>1</sup>/<sub>64</sub>"

Weight: 304.24 lbs.

### Shipping Dimensions & Weight (WxHxD)

Dimensions: 37<sup>3</sup>/<sub>4</sub>" x 78<sup>7</sup>/<sub>8</sub>" x 36<sup>1</sup>/<sub>4</sub>"

Weight: 313.06 lbs.

Color	Model #	UPC Code
Stainless Steel	RH25H5611SR	887276073446
White	RH25H5611WW	887276094229
Black	RH25H5611BC	887276094212

**SAMSUNG**

Actual color may vary. Design, specifications, and color availability are subject to change without notice. Non-metric weights and measurements are approximate.

©2015 Samsung Electronics America, Inc. 85 Challenger Road, Ridgefield Park, NJ 07660. Tel: 800-SAMSUNG. [samsung.com](http://samsung.com). Samsung is a registered trademark of Samsung Electronics Co. Ltd.