

# DV48J7770EP

Samsung Top-Load Electric Dryer



## 7.4 cu. ft. Capacity

### Features

- Multi-Steam™ Technology:
  - Steam Refresh
  - Steam Sanitize
  - Steam Wrinkle Away
- Vent Sensor™
- Smart Care
- Interior Drum Light
- 11 Preset Drying Cycles
- 8 Options
- 4 Temperature Settings
- 4-Way Venting
- Sensor Dry – Detects Moisture and Adjusts Drying Time
- Reversible Door
- LED Display: Ice Blue

### Convenience

- Child Lock
- Filter Check Indicator

ENERGY STAR® rated:  
607 kWh/yr



Multi-Steam™ Technology



Smart Care

### Available Colors:



Platinum  
(shown)



White

## Signature Features

### MULTI-STEAM™ TECHNOLOGY

- Steam away wrinkles.
- Helps remove odors and freshen clothes.
- Spend less time ironing.
- Fewer trips to the dry cleaner.

### SMART CARE

- Troubleshoot with your smartphone.
- Perform a quick diagnosis of your washer and dryer right from your smartphone.\*

\*Available for iPhone 4/4S/5/5S and Galaxy S1/S2/S3/S4 NOTE/NOTE2.

### SENSOR DRY

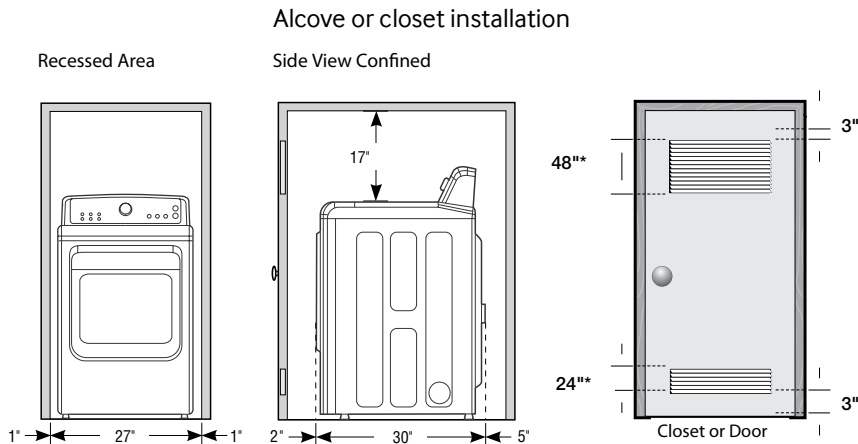
- Automatically adjusts drying time by sensing moisture so your clothes don't over or under dry.

**SAMSUNG**

# DV48J7770EP

Samsung Top-Load Electric Dryer

## Installing Your Dryer

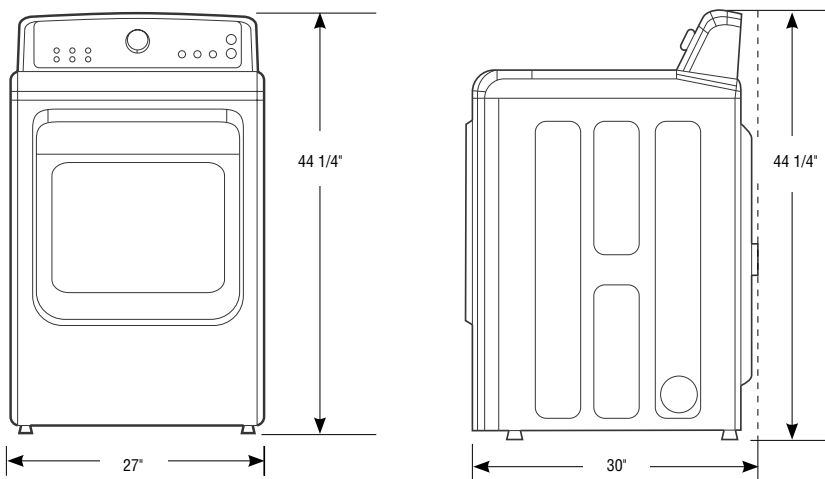


### Minimum clearances for closets and alcove:

- Sides - 1"
- Top - 17"
- Rear - 5"
- Closet Front - 2"

The closet front must have two unobstructed air openings for a combined minimum total area of 72"² with 3" minimum clearance on the top and bottom. A louvered door with equivalent space clearance is acceptable.

## Dimensions



## 7.4 cu. ft. Capacity

4-Way Venting

### 11 Preset Dry Cycles:

Steam Refresh, Steam Sanitize, Steam Wrinkle Away, Normal, Heavy Duty, Towels, Permanent Press, Bedding, Delicates, Time Dry, Quick Dry

### 8 Options:

Wrinkle Prevent, Adjust Time Up, Adjust Time Down, Child Lock, Sound On/Off, Eco Dry, Smart Care, Drum Light

### 4 Temperature Settings:

High, Medium, Low, Extra Low

### 4 Dry Levels:

Very Dry, More Dry, Normal Dry, Damp Dry

### 2 Signal Level Settings:

On/Off

## Warranty

One (1) Year All Parts and Labor  
Two (2) Years Control Board

## Product Dimensions & Weight (WxHxD)

Dimensions: 27" x 44 1/4" x 30"

Weight: 128 lbs

## Shipping Dimensions & Weight (WxHxD)

Dimensions: 29 1/2" x 46 1/2" x 31 1/8"

Weight: 137 lbs

Electric	Model #	UPC Code
Platinum	DV48J7770EP	887276095752
White	DV48J7770EW	887276095769

Gas	Model #	UPC Code
Platinum	DV48J7770GP	887276095776
White	DV48J7770GW	887276095783

## Matching Washer

Platinum	WA48J7770AP	887276095868
White	WA48J7770AW	887276095875

**SAMSUNG**

Actual color may vary. Design, specifications, and color availability are subject to change without notice. Non-metric weights and measurements are approximate.

©2015 Samsung Electronics America, Inc. 85 Challenger Road, Ridgefield Park, NJ 07660. Tel: 800-SAMSUNG. samsung.com. Samsung is a registered trademark of Samsung Electronics Co. Ltd.