

DV52J8700EP

Samsung Top-Load Electric Dryer

7.4 cu. ft. Capacity

Features

- Multi-Steam:
 - Steam Refresh
 - Steam Sanitize
 - Steam Wrinkle Away
- Vent Sensor
- Smart Care
- Stainless Steel Drum
- Interior Drum Light
- 15 Preset Drying Cycles
- 12 Options
- 5 Temperature Settings
- 4-Way Venting
- Moisture Sensor
- Drying Rack
- Reversible See-Through Door
- LED Display: Ice Blue

Convenience

- Child Lock
- Filter Check Indicator

ENERGY STAR®-rated:
607 kWh/yr



Multi-Steam



Smart Care

Available Colors:



Platinum



White

Signature Features

MULTI-STEAM

- Steams away wrinkles.
- Helps remove odors and freshen clothes so you can spend less time ironing and less money at the dry cleaners

SMART CARE

- Troubleshoot with your smartphone.
- Perform a quick diagnosis of your washer and dryer right from your smartphone.*

*Available for iPhone® 4/4S/5/5S/5C and Galaxy S1®/S2®/S3®/S4®/NOTE®/NOTE® 2/NOTE® 3/NOTE® 4/NOTE® Edge.

MOISTURE SENSOR

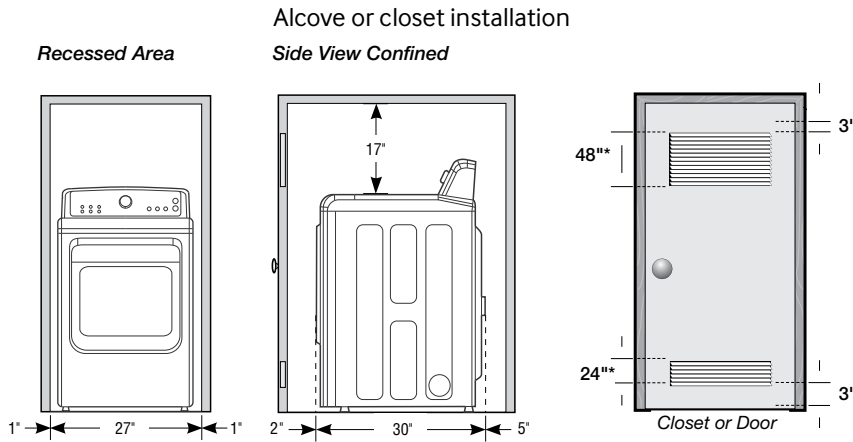
- Adjusts drying time, saves energy.
- Automatically turns off dryer when your clothes are dry.

SAMSUNG

DV52J8700EP

Samsung Top-Load Electric Dryer

Installing Your Dryer



Minimum clearances for closets and alcoves:

Sides – 1"
Top – 17"
Rear – 5"
Closet Front – 2"

The closet front must have two unobstructed air openings for a combined minimum total area of 72" with 3" minimum clearance on the top and bottom. A louvered door with equivalent space clearance is acceptable.

*Required spacing
(External exhaust elbow
requires additional space.)

7.4 cu. ft. Capacity

4-Way Venting

15 Preset Dry Cycles:

Steam Refresh, Steam Sanitize, Steam Wrinkle Away, Normal, Eco Normal, Heavy Duty, Towels, Permanent Press, Bedding, Delicates, Wool, Active Wear, Time Dry, Air Fluff, Quick Dry

12 Options:

Mixed Load Bell, Wrinkle Prevent, Rack Dry, Adjust Time Up, Adjust Time Down, My Cycle, Child Lock, Sound On/Off, Anti-Static, Eco Dry, Smart Care, Drum Light

5 Temperature Settings:

High, Medium, Medium Low, Low, Extra Low

5 Dry Levels:

Very Dry, More Dry, Normal Dry, Less Dry, Damp Dry

2 Signal Level Settings:

On/Off

Warranty

One (1) Year All Parts and Labor
One (1) Year Control Board

Product Dimensions & Weight (WxHxD)

Dimensions: 27" x 46" x 30"

Weight: 125.7 lbs

Shipping Dimensions & Weight (WxHxD)

Dimensions: 29 1/2" x 48 3/16" x 31 3/16"

Weight: 134.5 lbs

Electric

Platinum
White

Model

DV52J8700EP
DV52J8700EW

UPC Code

887276095790
887276095813

Gas

Platinum
White

Model

DV52J8700GP
DV52J8700GW

UPC Code

887276095820
887276095837

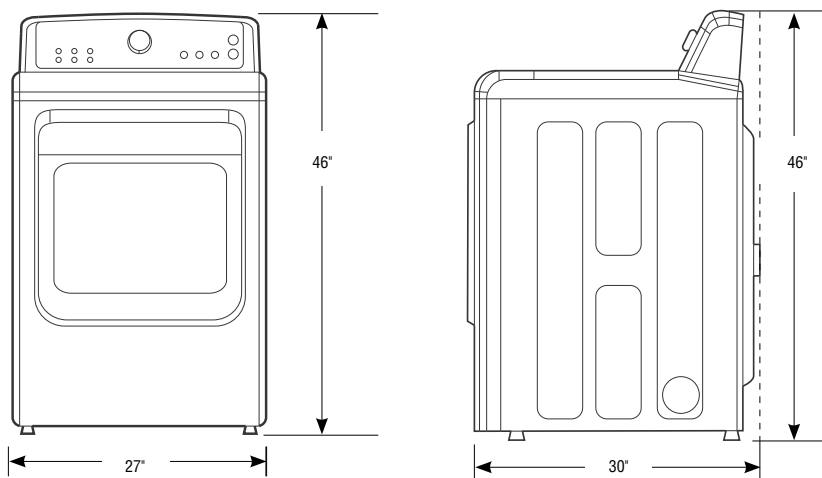
Matching Washer

Platinum
White

WA52J8700AP
WA52J8700AW

887276095882
887276095899

Dimensions



SAMSUNG

Actual color may vary. Design, specifications, and color availability are subject to change without notice. Non-metric weights and measurements are approximate.

©2015 Samsung Electronics America, Inc. 85 Challenger Road, Ridgefield Park, NJ 07660. Tel: 800-SAMSUNG. samsung.com. Samsung is a registered trademark of Samsung Electronics Co., Ltd.