

# ME16K3000AS

1.6 cu. ft. OTR Microwave

## Features

- 1.6 cu. ft. Oven Capacity
- 2-Speed/300 CFM Ventilation System
- LED Display
- Cooking Presets
- Eco Mode
- Turntable On/Off

## Convenience

- Interior Light: Incandescent (1)
- Cooktop Lighting: High/Low/Off
- Vent Fan Control: On/Off



2-Speed/300 CFM Ventilation System



LED Display

## Available Colors



Stainless Steel  
(shown)



White



Black

## Signature Features

### 1.6 CU. FT. CAPACITY

- Accommodates a variety of snacks and meals.
- Enough room to accommodate everyday meals.

### 2-SPEED/300 CFM VENTILATION SYSTEM

- Powerful ventilation system that eliminates steam, fumes, and odor from the kitchen.
- Quiet system clears the air with 300 cubic feet per minute of turbo ventilation.

### LED DISPLAY

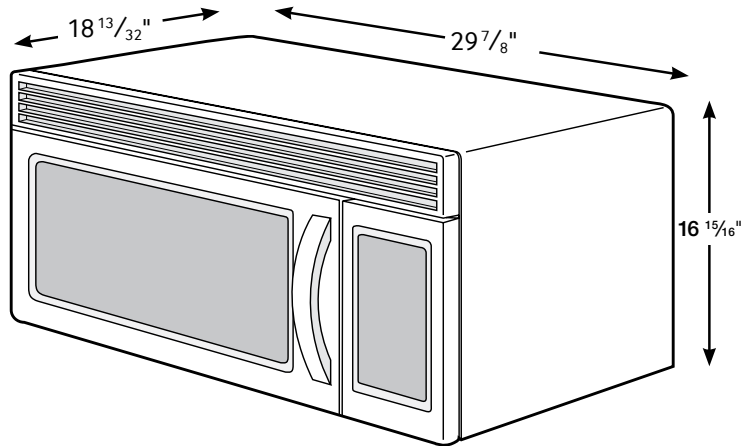
- Striking ice blue LED display provides a stylish accent to enhance any kitchen interior.
- Time and setting are clearly visible for greater cooking convenience.

**SAMSUNG**

# ME16K3000AS

1.6 cu. ft. OTR Microwave

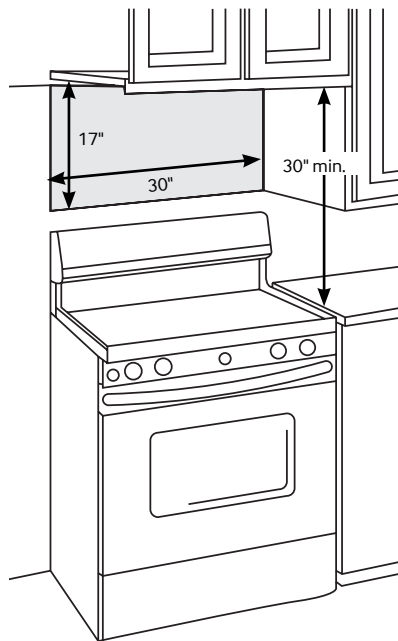
## Installing Your Microwave



This microwave oven is designed for adaptation to the following three types of ventilation:

- A. Outside Top Exhaust (Vertical Duct)
- B. Recirculating (Non-Vented Ductless)
- C. Outside Back Exhaust (Horizontal Duct)

- The space between the cabinets must be 30" wide and free of obstructions.
- This microwave oven is for installation over ranges up to 36" wide.
- The microwave must be level. Use a level to make sure the cabinet bottom is level. If the cabinets have a front overhang only, with no back or side frame, install the mounting plate down the same distance as the front overhang depth. This will keep the microwave level.



## Specifications

- Oven Cavity: 1.6 cu. ft.
- Power Output: 1000 W
- Power Consumption: 1580 W/13.5 A
- Power Source: 120 V/60 Hz
- Control Method: Digital (Membrane Touch)
- Display: LED
- Cooking Control: 10 Power Levels Including Defrost
- Cooking Timer: Digital, up to 99 Minutes, 99 Seconds
- Microwave Distribution System: Turntable
- Glass Turntable Diameter:  $11 \frac{8}{16}$ "
- Vent Fan: 300 CFM
- Vent Fan Control: On/Off
- Cooktop Lighting: High/Low/Off

## Warranty

One (1) Year All Parts and Labor  
Ten (10) Years Parts on Magnetron

## Product Dimensions & Weight (WxHxD)

Cavity Dimensions:  
 $19 \frac{5}{16}$ " x  $9 \frac{5}{8}$ " x  $14 \frac{3}{8}$ "

Outside Net Dimensions:  
 $29 \frac{7}{8}$ " x  $16 \frac{1}{2}$ " x  $15 \frac{1}{8}$ "

Weight: 44.2 lbs. (Stainless)  
43.3 lbs. (White, Black)

## Shipping Dimensions & Weight (WxHxD)

Dimensions:  
 $33 \frac{3}{8}$ " x  $19 \frac{15}{16}$ " x  $19 \frac{7}{16}$ "

Weight: 51.8 lbs. (Stainless)  
50.8 lbs. (White, Black)

Color	Model #	UPC Code
Stainless Steel	ME16K3000AS	887276120287
White	ME16K3000AW	887276120300
Black	ME16K3000AB	887276120270

FOR EASIER INSTALLATION AND PERSONAL SAFETY, WE RECOMMEND THAT TWO PEOPLE INSTALL THIS MICROWAVE OVEN.

IMPORTANT: Do not grip or use handle during installation.

NOTE: If your cabinet is metal, use the nylon grommet around the power cord hole to prevent cutting of the cord.

NOTE: We recommend using filler blocks if the cabinet front hangs below the cabinet bottom shelf.

IMPORTANT: If filler blocks are not used, case damage may occur from overtightening screws.

NOTE: When mounting the microwave oven, thread power cord through hole in bottom of top cabinet.

Do not pinch cord or lift oven by pulling cord.

**SAMSUNG**

Actual color may vary. Design, specifications, and color availability are subject to change without notice.  
Non-metric weights and measurements are approximate.

©2016 Samsung Electronics America, Inc. 85 Challenger Road, Ridgefield Park, NJ 07660. Tel: 800-SAMSUNG. [samsung.com](http://samsung.com).  
Samsung is a registered trademark of Samsung Electronics Co. Ltd.