

NX58K3310SS

5.8 cu. ft. Freestanding Gas Range

Features

- Powerful Cooktop – 5 Gas Burners
 - Right Front: 17K BTU
 - Left Front: 12K BTU
 - Right Rear: 5K BTU
 - Left Rear: 9.5K BTU
 - Center: 9.5K BTU (Oval)
- Large Oven Capacity – 5.8 cu. ft.
- Wide View Window
- 17K BTU Power Burner
- Hidden Bake Element
- Convenient Storage Drawer
- Sabbath Mode

Convenience

- Auto Oven Light
- Auto Shut-Off Option
- Delay Start
- Child Safety Lock
- 2 Chrome Oven Racks
- Kitchen Timer
- Manual Clean



Large Capacity



Powerful Cooktop

Available Colors



Stainless Steel
(shown)



White



Black

Signature Features

POWERFUL COOKTOP

- Five-burner cooktop provides the power to quickly boil water and flexibility to cook multiple dishes simultaneously
- Five burners totaling 53K BTU, with powerful 17K burner, provides power to boil water faster.

5.8 CU. FT. CAPACITY

- 5.8 cu. ft. large capacity oven allows you to cook multiple dishes at once or accommodate larger items.
- The large interior can easily accommodate a big roast, multiple casserole dishes or several racks of cookies.

SAMSUNG

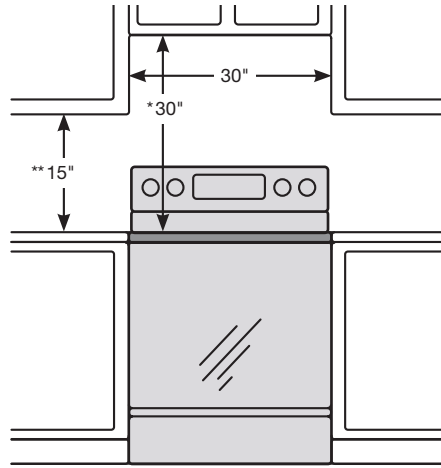
NX58K3310SS

5.8 cu. ft. Freestanding Gas Range

Installing Your Range

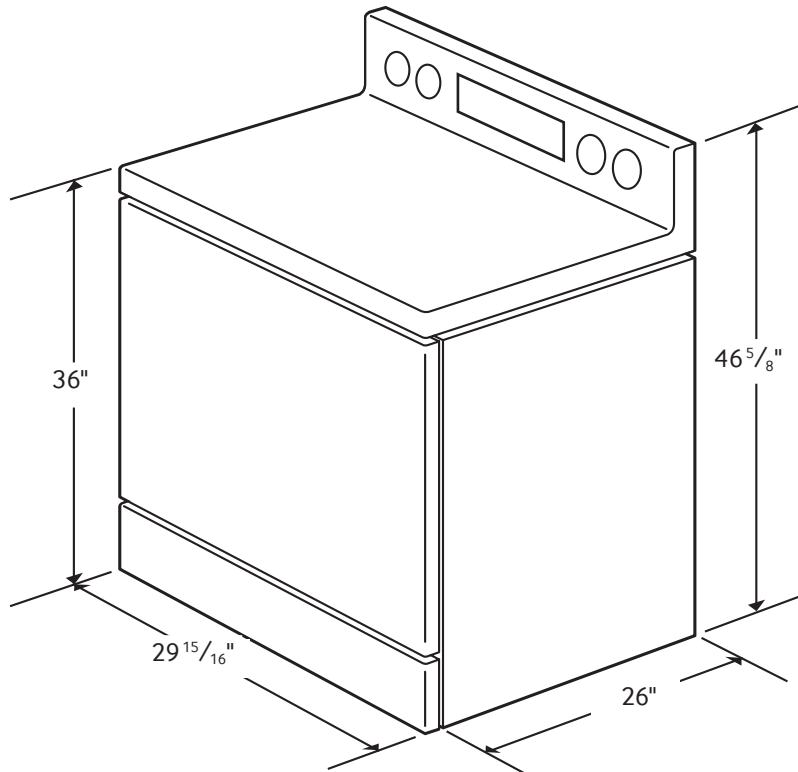
*30" minimum clearance between the top of the cooking surface and the bottom of an unprotected wood or metal cabinet; or 24" minimum when the bottom of the wood or metal cabinet is protected by not less than 1/4" flame-retardant millboard covered with not less than no.28 MSG sheet steel, 0.015" stainless steel, 0.024" aluminum or 0.020" copper.

**15" minimum between the countertop and the adjacent cabinet bottom.



IMPORTANT: To eliminate the risk of burns or fire caused by reaching over heated surface units, cabinet storage space located above the surface units should be avoided. If cabinet storage is to be provided, the risk can be reduced by installing a range hood that projects horizontally a minimum of 5" beyond the bottom of the cabinets.

Dimensions



Total Power (BTU)

53K

Power Source

120 V/60 Hz

Black Enamel 5-Burner Cooktop (BTU)

- Right Front: 17K
- Left Front: 12K
- Right Rear: 5K
- Left Rear: 9.5K
- Center (Oval): 9.5K

Oven

- Capacity: 5.8 cu. ft.
- Bake: 175°F - 550°F
- Variable Broil: 375°F - 480°F
- Sabbath Mode

Storage Drawer

Capacity: 0.7 cu. ft.

Warranty

One (1) Year All Parts and Labor

Five (5) Years Gas Cooktop

Product Dimensions & Weight (WxHxD)

Actual Oven Dimensions:

25" x 19" x 21 1/8"

Outside Net Dimensions:

29 15/16" x 46 5/8" x 26"

Weight: 170 lbs.

Shipping Dimensions & Weight (WxHxD)

Dimensions:

33 1/16" x 50 5/8" x 30 5/16"

Weight: 192 lbs.

Color	Model #	UPC Code
Stainless Steel	NX58K3310SS	887276132099
White	NX58K3310SW	887276132082
Black	NX58K3310SB	887276132105

SAMSUNG

Actual color may vary. Design, specifications, and color availability are subject to change without notice. Non-metric weights and measurements are approximate.

©2016 Samsung Electronics America, Inc. 85 Challenger Road, Ridgefield Park, NJ 07660. Tel: 800-SAMSUNG. samsung.com. Samsung is a registered trademark of Samsung Electronics Co. Ltd.