

# WF50K7500AV

Samsung Front-Load Washer

## 5.0 cu. ft. Capacity

### Features

- AddWash™
- Super Speed
- PowerFoam™
- Steam Wash
- VRT Plus™
- Smart Home Ready
- Self Clean+
- Smart Care
- Swirl Drum Design
- Direct Drive Motor
- 1300 RPM Maximum Spin Speed
- 14 Preset Wash Cycles
- 13 Options

### Convenience

- Child Lock
- Door Lock
- Dispenser Trays: Prewash, Main Wash, Softener, Bleach



ENERGY STAR®-rated:

CEE Tier 3

IMEF = 2.92

IWF = 2.9

105 kWh/yr



AddWash™



5.0 cu. ft. Capacity

### Available Colors:



Black Stainless Steel



White

## Signature Features

### AddWash™

- Conveniently add in forgotten laundry after the cycle has begun with the AddWash™ door.
- Save time and energy by not doing an additional load of laundry.

### 5.0 CU. FT. CAPACITY

- Largest 27" Front Load Washer in the industry<sup>1</sup> lets you wash over 3 laundry baskets in a single load.<sup>2</sup>
- 5.0 cu. ft. capacity gets more laundry done in less time.

<sup>1</sup>Based on USDOE/EPA listing.

<sup>2</sup>Based on an 8-lb. load of laundry.

### SUPER SPEED

- Breakthrough technology provides a 50% faster and thorough wash cycle.
- Wash a full load in only 30 minutes.<sup>2</sup>

<sup>2</sup>Normal 1-hour wash can be completed in as little as 30 minutes as compared to WF511 washer without Super Speed. Based on DOE standard's average of 7.5 loads per week.

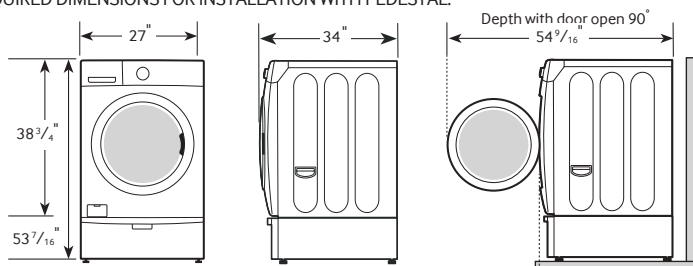
**SAMSUNG**

# WF50K7500AV

## Samsung Front-Load Washer

### Dimensions

REQUIRED DIMENSIONS FOR INSTALLATION WITH PEDESTAL:

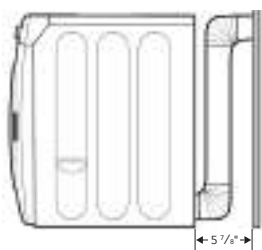
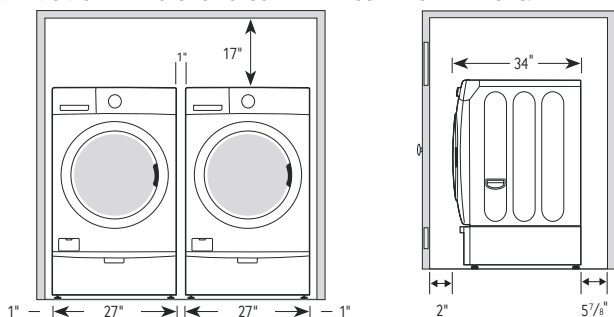


### Installation Specifications

If the washer and dryer are installed together or the dryer alone, the closet front must have two unobstructed air openings for a combined minimum total area of 72 in.<sup>2</sup> (see stacked build below). Your washer alone does not require a specific air opening.

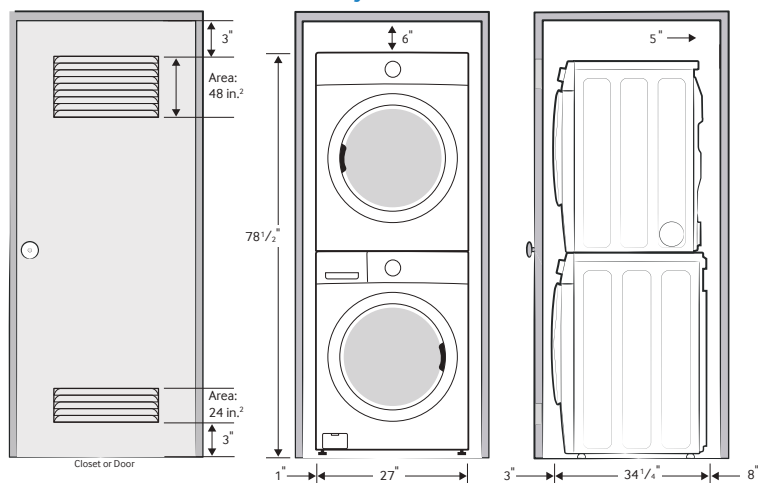
#### 1. Alcove or closet installation

MINIMUM CLEARANCES FOR CLOSET AND ALCOVE INSTALLATIONS:



When installing with matching dryer, if the exhaust duct is installed at the rear of the dryer, the rear must have at least 5 7/8 inch clearance.

#### 2. With stacked washer and dryer



### 5.0 cu. ft. Capacity

#### 14 Preset Wash Cycles:

Eco Cold, Normal, Heavy Duty, Permanent Press, Sanitize, Allergen, Bedding, Deep Steam, Whites, Active Wear, Delicates, Wool, Quick Wash, Rinse and Spin

#### 13 Options:

Super Speed, Steam, Self Clean+, Delay End, My Cycle, Prewash, Extra Rinse, Extra Spin, Spin Only, Sound, Child Lock, Smart Care, Drum Light

#### 5 Temperature Settings:

Extra Hot, Hot, Warm, Eco Warm, Cold

#### 5 Spin Settings:

Extra High, High, Medium, Low, No Spin

#### 5 Soil Settings:

Heavy, Heavy Medium, Normal, Low Medium, Light

#### Dispenser Trays:

Prewash, Main Wash, Softener, Bleach

#### Warranty

One (1) Year Parts and Labor  
One (1) Year Control Board  
Three (3) Years Stainless Steel Drum  
Ten (10) Years Direct Drive Motor

#### Product Dimensions & Weight (WxHxD)

Dimensions: 27" x 38 3/4" x 34"

Weight: 238 lbs

#### Shipping Dimensions & Weight (WxHxD)

Dimensions: 29 3/8" x 42 15/16" x 36 3/16"

Weight: 244 lbs

Color	Model #	UPC Code
Black Stainless Steel	WF50K7500AV	887276135557
White	WF50K7500AW	887276135564

#### Matching Dryer (Electric/Gas)

Black Stainless Steel	DV50K7500EV	887276135946
White	DV50K7500EW	887276135960
Black Stainless Steel	DV50K7500GV	887276135977
White	DV50K7500GW	887276135984

#### Optional Stacking Kit

Sold separately	SKK-7A	887276146423
-----------------	--------	--------------

**SAMSUNG**

Actual color may vary. Design, specifications, and color availability are subject to change without notice. Non-metric weights and measurements are approximate.

©2016 Samsung Electronics America, Inc. 85 Challenger Road, Ridgefield Park, NJ 07660. Tel: 800-SAMSUNG. samsung.com. Samsung is a registered trademark of Samsung Electronics Co. Ltd.