

DV45K6200GZ

Samsung Front-Load Gas Dryer

7.5 cu. ft. Capacity

Features

- ENERGY STAR® 2016 Certified
- Multi-Steam Technology:
 - Steam Refresh
 - Steam Wrinkle Away
 - Steam Sanitize
- Vent Sensor™
- Smart Care
- Eco Dry Technology
- Smart Home Ready
- Sensor Dry
- 12 Preset Drying Cycles
- 11 Options
- 5 Temperature Settings
- 3-Way Venting
- Dual Heaters
- Dryer Drum Light
- Reversible See-Through Door

Convenience

- Child Lock
- My Cycle Option
- Filter Check Indicator



Multi-Steam Technology



7.5 cu. ft. Capacity

Available Colors:



Azure



White

Signature Features

ENERGY STAR® 2016 CERTIFIED

- Meets strict energy-consumption requirements.

MULTI-STEAM TECHNOLOGY

- Helps remove wrinkles and odors, and freshens clothes so you can spend less time ironing and less money at the dry cleaners.

VENT SENSOR™

- Detects duct blockages and reminds you to clean your vent.
- Conveniently allows you to forward these alerts to your smartphone.

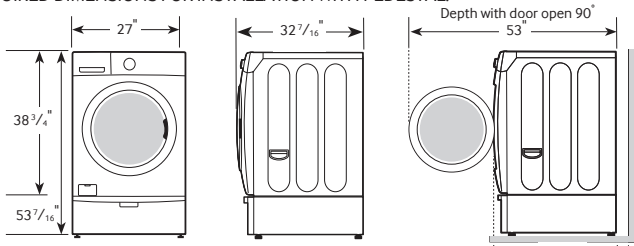
SAMSUNG

DV45K6200GZ

Samsung Front-Load Gas Dryer

Dimensions

REQUIRED DIMENSIONS FOR INSTALLATION WITH PEDESTAL:

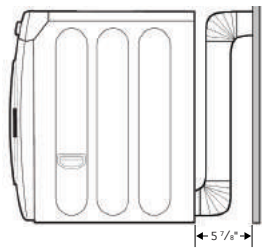
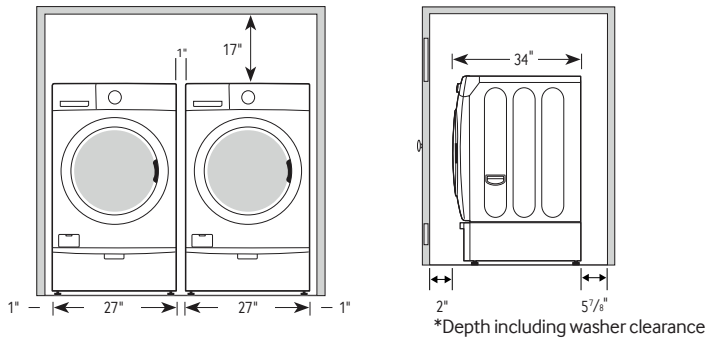


Installation Specifications

If the washer and dryer are installed together or the dryer alone, the closet front must have two unobstructed air openings for a combined minimum total area of 72 in.² (see stacked build below). Your washer alone does not require a specific air opening.

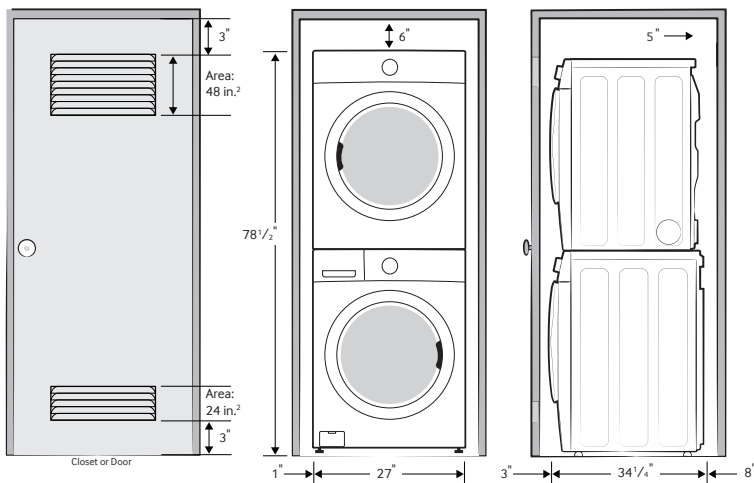
1. Alcove or closet installation

MINIMUM CLEARANCES FOR CLOSET AND ALCOVE INSTALLATIONS:



If the exhaust duct is installed at the rear of the dryer, the rear must have at least 5 7/8 inch clearance.

2. With stacked washer and dryer



7.5 cu. ft. Capacity DOE

3-Way Venting

12 Preset Dry Cycles:

Steam Refresh, Steam Wrinkle Away, Steam Sanitize, Normal, Heavy Duty, Permanent Press, Active Wear, Bedding, Delicates, Time Dry, Air Fluff, Quick Dry

11 Options:

Mixed Load Bell, Wrinkle Prevent, Anti-Static, My Cycle, Adjust Time (Up), Adjust Time (Down), Eco Dry, Sound, Child Lock, Smart Care, Drum Light

5 Temperature Settings:

High, Medium, Medium Low, Low, Extra Low

5 Dry Levels:

Very Dry, More Dry, Normal Dry, Less Dry, Damp Dry

Warranty

One (1) Year Parts and Labor
One (1) Year Control Board

Product Dimensions & Weight (WxHxD)

Dimensions: 27" x 38 3/4" x 32 7/16"

Weight: 126 lbs

Shipping Dimensions & Weight (WxHxD)

Dimensions: 29 3/8" x 42 3/8" x 33 1/2"

Weight: 134 lbs

Gas	Model #	UPC Code
Azure	DV45K6200GZ	887276138374
White	DV45K6200GW	887276138367
Electric	Model #	UPC Code
Azure	DV45K6200EZ	887276138343
White	DV45K6200EW	887276138329

Matching Washer

Azure	WF45K6200AZ	887276138114
White	WF45K6200AW	887276138107

Optional Stacking Kit

Sold separately SKK-7A 887276146423

Optional Side Vent Kit

Sold separately DV-2A/XAA 887276146416



Actual color may vary. Design, specifications, and color availability are subject to change without notice. Non-metric weights and measurements are approximate.

©2016 Samsung Electronics America, Inc. 85 Challenger Road, Ridgefield Park, NJ 07660. Tel: 800-SAMSUNG. samsung.com. Samsung is a registered trademark of Samsung Electronics Co. Ltd.