

DV45H7000EP

Samsung Top-Load Electric Dryer

7.4 cu. ft. Capacity DOE

Features

- Sensor Dry
- Smart Care
- 9 Preset Dry Cycles
- 7 Options
- 4 Temperature Settings
- Interior Drum Light
- Easy-to-read, Distinctive Ice Blue LED Display
- Reversible Glass Door for a Premium Look and Feel
- Wrinkle Prevent Option
- Powder Coat Interior

Convenience

- Child Lock
- Filter Check Indicator



Sensor Dry



9 Drying Cycles

Available Color



Platinum

Signature Features

SENSOR DRY

- Optimizes the time and temperature to dry clothes thoroughly, avoiding heat damage.

7.4 CU. FT. CAPACITY

- Do fewer loads to get more laundry done in less time.

SMART CARE

- Troubleshoot straight from your smartphone.

SAMSUNG

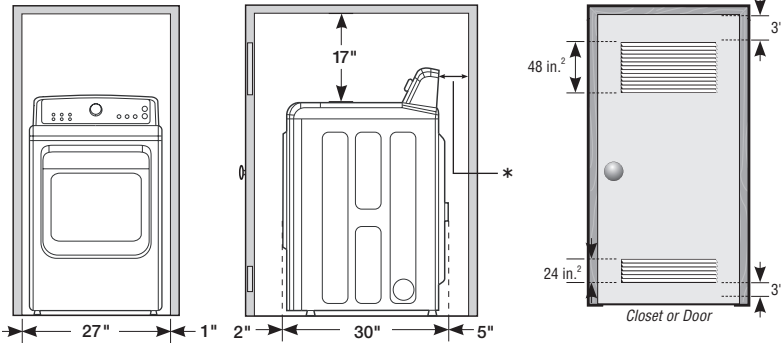
DV45H7000EP

Samsung Top-Load Electric Dryer

Installing Your Dryer

Recessed Area

Side View Confined



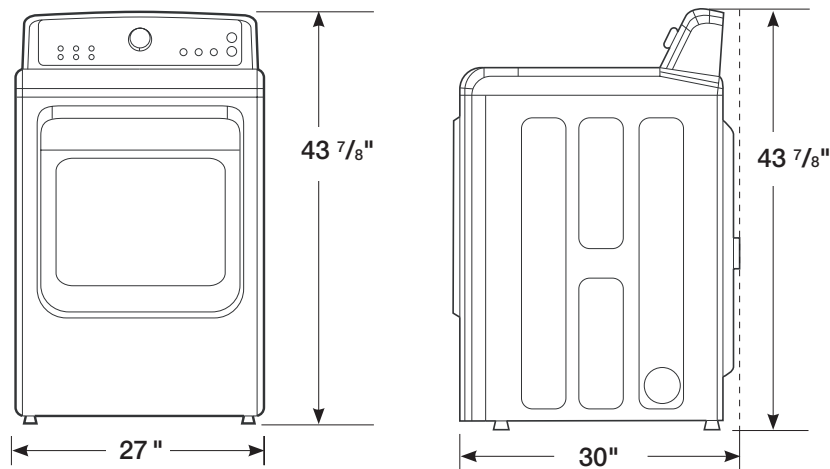
Minimum clearances for closets and alcove:

Sides - 1"
Top - 17"
Rear - 5"
Closet Front - 2"

If the washer and dryer are installed together, the closet front must have at least a 72 in² (465cm²) unobstructed air opening. Your washer alone does not require a specific air opening.

* External exhaust elbow requires additional space.

Dimensions



7.4 cu. ft. Capacity DOE

4-Way Venting

9 Preset Dry Cycles:

Normal, Heavy Duty, Permanent Press, Bedding, Delicates, Sanitize, Time Dry, Quick Dry, Wrinkle Release

7 Options:

Mixed Load Bell, Wrinkle Prevent, Adjust Time, Child Lock, Sound On/Off, Smart Care, Drumlight

4 Temperature Settings:

High, Medium, Low, Extra Low

4 Dry Levels:

Very Dry, More Dry, Normal Dry, Damp Dry

2 Signal Level Settings:

On/Off

Warranty

One (1) Year Parts and Labor
One (1) Year Control Board

Product Dimensions & Weight (WxHxD)

Dimensions: 27" x 43⁷/₈" x 30"

Weight: 125.7 lbs

Shipping Dimensions & Weight (WxHxD)

Dimensions: 29¹/₂" x 46¹/₂" x 31¹/₈"

Weight: 134.5 lbs

Electric
Platinum

Model #
DV45H7000EP

UPC Code
887276157627

Gas
Platinum

Model #
DV45H7000GP

UPC Code
887276157634

Matching Washer

Platinum

WA45H7000AP

887276157641

SAMSUNG

Actual color may vary. Design, specifications, and color availability are subject to change without notice. Non-metric weights and measurements are approximate.

©2016 Samsung Electronics America, Inc. 85 Challenger Road, Ridgefield Park, NJ 07660. Tel: 800-SAMSUNG. samsung.com.
Samsung is a registered trademark of Samsung Electronics Co. Ltd.