

RS25H5111SR

SAMSUNG

Samsung 24.5 cu. ft. Capacity Side-by-Side Refrigerator with In-Door Ice Maker



Signature Features

Filtered Water

- Get great-tasting, filtered water directly from your refrigerator.
- Spend less time and money buying bottled water.

Twin Cooling Plus®

- Maintains cooling air for the refrigerator and freezer separately.
- Refrigerator air is kept at higher, near-commercial-grade humidity levels to keep perishable fruits and vegetables fresher longer.
- Drier air in the freezer means less freezer burn for better-tasting food.

LED Lighting

- Beautifully lights up the interior so you're able to quickly spot what you want.
- Sleek design saves more space than traditional incandescent light bulbs.

Available Colors



Stainless Steel (shown)



Fingerprint Resistant
Black Stainless Steel



Side-By-Side Design



External Filtered Water and Ice Dispenser

Features

- Large Capacity – 24.5 cu. ft.
- External Filtered Water and Ice Dispenser
- LED Lighting
- Twin Cooling Plus®
- ENERGY STAR®-Compliant
- ADA Compliant
- In-Door Ice Maker
- Multi Air Flow
- Six Temperature Sensors
- Power Freeze and Power Cool Options
- Tempered Glass Spill-Proof Shelves
- Two Crisper Drawers
- Gallon Door Bins

Convenience

- Door Alarm
- Water Filter Indicator



ADA Compliant

Rating



ENERGY STAR®-rated:
CEE Tier 1
634 kWh/yr

RS25H511SR

SAMSUNG

Samsung 24.5 cu. ft. Capacity Side-by-Side Refrigerator with In-Door Ice Maker

Installation Specifications

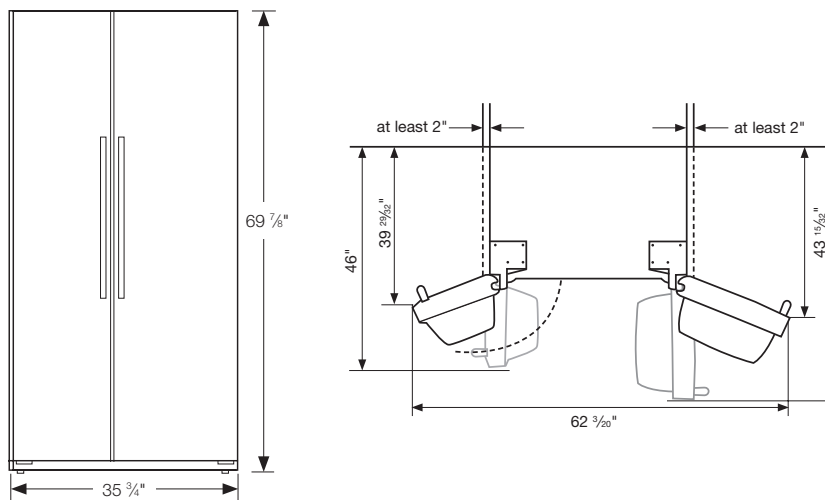
1. Measure the height, width and depth of the opening, making sure to include baseboards, molding tile, countertop overhang, etc. Check to be sure there is enough room to open the door (consider walls, islands or other obstacles when measuring).
2. Refer to illustration below to determine dimensions.
3. Allow 2.5" of clearance on hinge side of refrigerator when installing next to a wall where handle may make contact.
4. Allow 1" minimum clearance at rear for proper air circulation and water/electrical connections. Allow a 3/8" minimum clearance at sides and top for ease of installation.
5. Ensure each door and entryway in the home is wide enough for the refrigerator to be moved through easily.

For optimal usage and to be able to open refrigerator doors completely, do not install next to a wall.

Please note: The following dimension and cutout information is for planning purposes only. For complete installation details, consult manual packed with product, or download manual online at samsung.com.



Dimensions



Total Capacity: 24.5 cu. ft.

Refrigerator: 15.32 cu. ft.

- Multi Air Flow
- 4 Tempered Glass Spill-Proof Shelves
- 3 Clear Crispers
- 5 Door Bins
 - 2 Gallon Bins
 - 2 Clear Bins
 - 1 Dairy Bin
- LED Lighting

Freezer: 9.18 cu. ft.

- External Filtered Water and Ice Dispenser (Crushed or Cubed Ice)
- Automatic In-Door Ice Maker
- 4 Glass Shelves
- 3 Clear Door Bins
- LED Lighting

Warranty

One (1) Year Parts and Labor on Refrigerator
Five (5) Years Parts and Labor on Sealed Refrigeration System Only*

*Compressor, evaporator, condenser, drier and connecting tubing.

Product Dimensions & Weight

Dimensions (WxHxD with hinges, handles and doors):
35 ³/₄" x 69 ⁷/₈" x 36 ³/₁₆"

Dimensions (WxHxD without hinges and door):
35 ³/₄" x 68 ¹/₂" x 29 ⁷/₁₆"

Dimensions (WxHxD with hinge and door, no handle):
35 ³/₄" x 69 ⁷/₈" x 33 ¹³/₁₆"

Weight: 278.8 lbs.

Shipping Dimensions & Weight (WxHxD)

Dimensions: 37 ³/₄" x 78 ⁷/₈" x 36 ³/₁₆"

Weight: 286.6 lbs.

Color

Stainless Steel
Fingerprint Resistant
Black Stainless Steel

Model

RS25H511SR
RS25H511SG

UPC Code

8872769526091
887276164526