

ME21K6000AS

2.1 cu. ft. Over-the-Range Microwave

Features

- Smart Multi Sensor Cook
- Ceramic Enamel Interior
- LED Cooktop Lighting
- Simple Clean Filter
- Extra-Large 2.1 cu. ft. Capacity
- 1000 Watts Cooking Power
- 4-Speed/400 CFM Ventilation System
- Cooking Presets
- Eco Mode
- Turntable On/Off
- Triple Distribution System
- Charcoal/Grease Vent Filter
- 10 Power Levels
- Two-Stage Programmable Cooking
- Smart & 1-Pound Defrost
- Chrome Rack
- Touch Control
- LED Display

Convenience

- Clock (12hr/24hr) with Daylight Savings Time Adjustment
- Kitchen Timer
- End Signal
- Interior Light: LED
- Cooktop Lighting (LED): High/Low/Off
- Vent Fan Control: On/Off/Delay Off
- Turntable Control: On/Off
- Child Safety Lock
- Sound On/Off



Smart Multi Sensor



Ceramic Enamel Interior

Available Color



Stainless Steel

Signature Features

SMART MULTI SENSOR

- Smart Multi Sensor automatically senses the temperature of foods at the rate of 3 times per sec and controls its heating level and time to make the foods the desired condition without overcooking.

CERAMIC ENAMEL INTERIOR

- Scratch-resistant and easy-to-clean interior.
- Effortlessly remove grease or oil from surfaces and protect against scratches.

LED DISPLAY

- Striking blue LED display adds clarity and style to your kitchen.

SIMPLE CLEAN FILTER

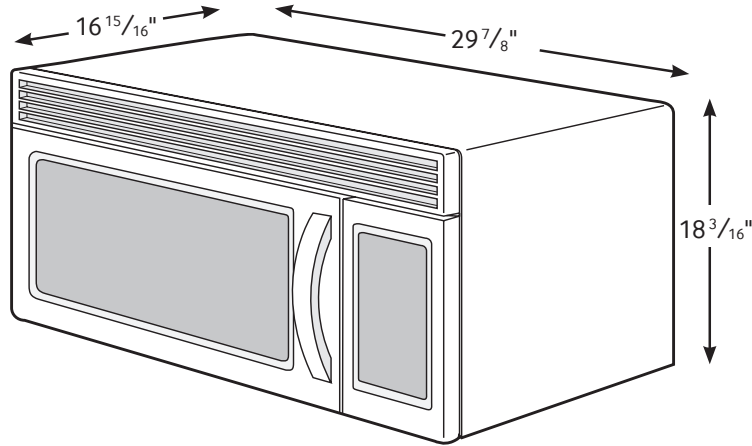
- Convenient, easy-to-access location is simple to eject with one touch and helps you remember when to clean the filter.

SAMSUNG

ME21K6000AS

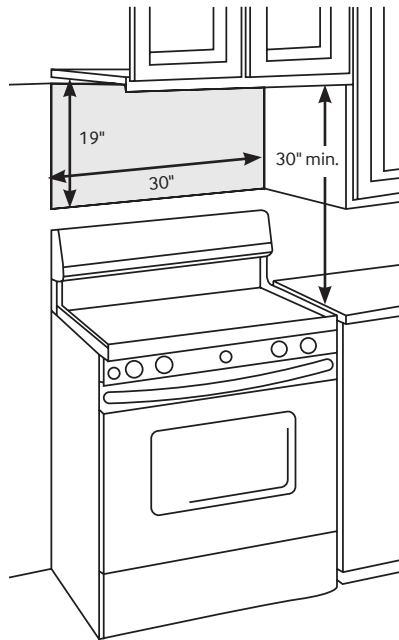
2.1 cu. ft. Over-the-Range Microwave

Dimensions



Installing your Microwave

- This microwave oven is designed for adaptation to the following three types of ventilation:
 - A. Outside Top Exhaust (Vertical Duct)
 - B. Recirculating (Non-Vented Ductless)
 - C. Outside Back Exhaust (Horizontal Duct)
- The space between the cabinets must be 30" wide and free of obstructions.
- This microwave oven is for installation over ranges up to 36" wide.
- The microwave must be level. Use a level to make sure the cabinet bottom is level. If the cabinets have a front overhang only, with no back or side frame, install the mounting plate down the same distance as the front overhang depth. This will keep the microwave level.



FOR EASIER INSTALLATION AND PERSONAL SAFETY, WE RECOMMEND THAT TWO PEOPLE INSTALL THIS MICROWAVE OVEN. IMPORTANT: Do not grip or use handle during installation.

NOTE: If your cabinet is metal, use the nylon grommet around the power cord hole to prevent cutting of the cord.

NOTE: We recommend using filler blocks if the cabinet front hangs below the cabinet bottom shelf.

IMPORTANT: If filler blocks are not used, case damage may occur from overtightening screws.

NOTE: When mounting the microwave oven, thread power cord through hole in bottom of top cabinet. Do not pinch cord or lift oven by pulling cord.

Specifications

- Oven Cavity: 2.1 cu. ft.
- Power Output: 1000 W
- Power Consumption: 17000 W/14.5 A
- Power Source: 120 V/60 Hz
- Control Method: Stainless Steel Digital (Membrane Touch)
- Display: LED
- Cooking Control: 10 Power Levels Including Defrost
- Cooking Timer: Digital, up to 99 Minutes, 99 Seconds
- Microwave Distribution System: Rotating Turntable + Stirrer
- Glass Turntable Diameter: 14 3/16"
- Chrome Rack (1)
- Vent Fan: 400 CFM
- Vent Fan Control: On/Off/Delay Off
- Cooktop Lighting: High/Low/Off
- LED Interior Light

Warranty

One (1) Year All Parts and Labor
Ten (10) Years Parts on Magnetron

Product Dimensions & Weight (WxHxD)

Cavity Dimensions:
22 1/8" x 14 7/8" x 10 13/16"

Outside Net Dimensions:
29 7/8" x 18 3/16" x 16 15/16"

Weight: 59.2 lbs.

Shipping Dimensions & Weight (WxHxD)

Dimensions:
33 3/8" x 19 7/16" x 20 3/4"

Weight: 65.9 lbs.

Color	Model #	UPC Code
Stainless Steel	ME21K6000AS	887276170077

SAMSUNG

Actual color may vary. Design, specifications and color availability are subject to change without notice. Non-metric weights and measurements are approximate.

©2016 Samsung Electronics America, Inc. 85 Challenger Road, Ridgefield Park, NJ 07660. Tel: 800-SAMSUNG. samsung.com. Samsung is a registered trademark of Samsung Electronics Co. Ltd.