

RH22H9010SR

SAMSUNG

Samsung 22 cu. ft. Capacity Counter-Depth Side-by-Side Food Showcase Refrigerator with Metal Cooling



Signature Features

Food Showcase

- Food Showcase Door gives you easy reach of key items that are most often used, all visible in one glance.

Metal Cooling

- Locks in cold, seals in freshness.
- Stainless steel paneling helps maintain consistent temperature throughout the refrigerator.

Counter Depth

- More capacity, smaller floor space.
- Our 22 cu. ft. capacity Side-by-Side has enough room to fit up to 22 bags of groceries.*
- Stylish counter-depth design allows for more workable space in the kitchen.

*Grocery comparison based on each cubic foot of usable space equaling one paper bag.

Available Colors



Stainless Steel (shown)



Fingerprint Resistant
Black Stainless Steel



Food Showcase Fridge Door



Metal Cooling

Features

- Food Showcase
- Metal Cooling
- High-Efficiency LED Lighting
- External Filtered Water and Ice Dispenser
- Automatic In-Door Ice Maker
- Ice Case in the Freezer
- Fingerprint Resistant Coating
- ENERGY STAR®-Compliant
- Power Freeze and Power Cool Options
- Tempered Glass Spill-Proof Shelves
- Stainless Look Display
- 3 Crisper Drawers

Convenience

- CoolTight Door
- Dispenser Light
- Door Alarm
- Water Filter Indicator
- Child Lock

Rating



ENERGY STAR®-rated:
635 kWh/yr

RH22H9010SR

SAMSUNG

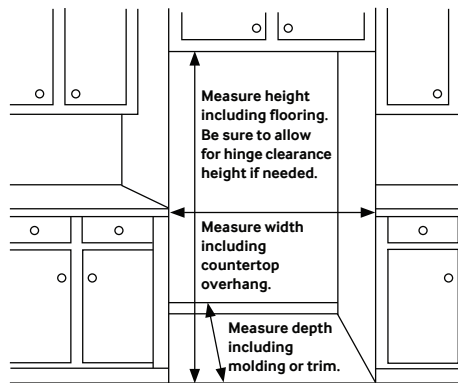
Samsung 22 cu. ft. Capacity Counter-Depth Side-by-Side Food Showcase Refrigerator with Metal Cooling

Installation Specifications

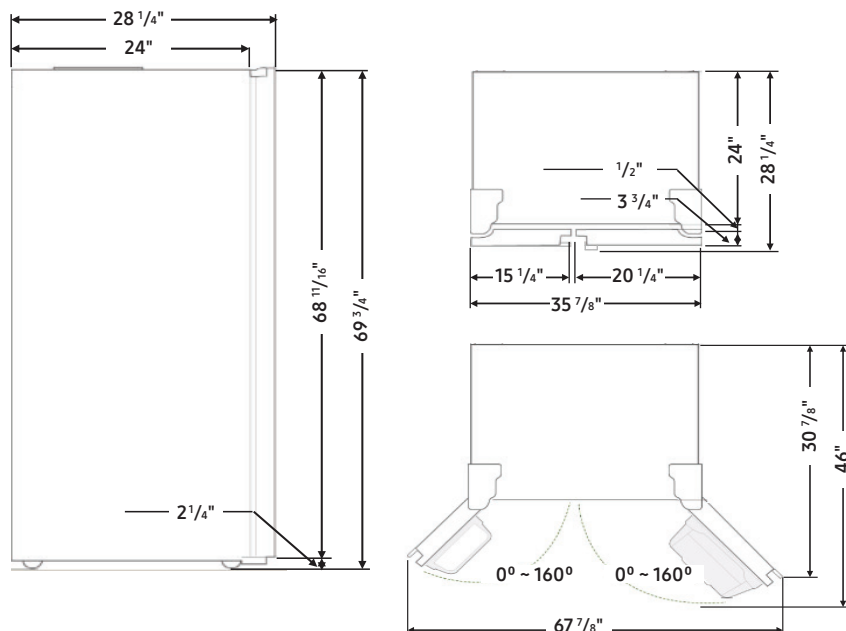
1. Measure the height, width and depth of the opening, making sure to include baseboards, molding tile, countertop overhang, etc. Check to be sure there is enough room to open the door (consider walls, islands or other obstacles when measuring).
2. Refer to illustration below to determine dimensions.
3. Allow 2.5" of clearance on hinge side of refrigerator when installing next to a wall where handle may make contact.
4. Allow 1" minimum clearance at rear for proper air circulation and water/electrical connections. Allow a 3/8" minimum clearance at sides and top for ease of installation.
5. Ensure each door and entryway in the home is wide enough for the refrigerator to be moved through easily.

For optimal usage and to be able to open refrigerator doors completely, do not install next to a wall.

Please note: The following dimension and cutout information is for planning purposes only. For complete installation details, consult manual packed with product, or download manual online at samsung.com.



Dimensions



Total Capacity: 21.5 cu. ft.

Refrigerator: 14.3 cu. ft.

- Food Showcase
 - 2 Slide-Out Door Bins
 - 1 Tilting Door Bin
 - 3 Fixed Door Bins
- 3 Crisper Drawers
- 3 Tempered Glass Shelves
- 1 Foldable Half Shelf
- LED Lighting

Freezer: 7.2 cu. ft.

- 4 Tempered Glass Shelves
- 3 Clear Door Bins
- 2 Clear Drawers
- Automatic In-Door Ice Maker
- LED Lighting

Warranty

One (1) Year Parts and Labor on Refrigerator
Five (5) Years Parts and Labor on Sealed Refrigeration System Only*
Ten (10) Years Parts and Five (5) Years Labor on Digital Inverter Compressor

*Compressor, evaporator, condenser, drier and connecting tubing.

Product Dimensions & Weight

Dimensions (WxHxD with hinges, handles and doors):
35 7/8" x 69 3/4" x 28 1/4"

Dimensions (WxHxD without hinges and door):
35 7/8" x 68 11/16" x 24"

Dimensions (WxHxD with hinge and door, no handle):
35 7/8" x 69 3/4" x 28 1/4"

Weight: 354.9 lbs.

Shipping Dimensions & Weight (WxHxD)

Dimensions: 38 1/4" x 75 3/16" x 39 3/16"

Weight: 383.6 lbs.

Color

Stainless Steel
Fingerprint Resistant
Black Stainless Steel

Model

RH22H9010SR
RH22H9010SG

UPC Code

887276956015
887276183954