

# NQ70M7770DS

SAMSUNG

## 30" Microwave Combination Wall Oven



### Signature Features

#### Steam Cook (Oven)

- Delivers moisture at precise times for a crisp, browned outside and tender inside.

#### Speed Cook (Microwave)

- Cook food faster and more evenly by using power convection.

#### Flex Duo™ (Oven)

- Cook two dishes at different temperatures simultaneously with the Smart Divider.

### Available Colors



Stainless Steel (shown)



Black Stainless Steel



Steam Cook



Flex Duo™

### Features

- Digital-Analog Controls
- 1.9/5.1 cu. ft. Capacity
- Hybrid Clean and Self-Clean (Oven)
- Gourmet Cook (Oven)
- Dual Convection (Oven)
- Wi-Fi Connectivity
- Wi-Fi Enabled Temperature Probe (Oven)
- LED Spotlights (Oven)
- Easy View Window
- 3 Heavy-Duty Racks including a Gliding Rack (Oven)

- Soft-Close Door (Oven)
- Ceramic Plate (Microwave)
- Rapid Preheat (Oven)
- Auto Latch Microwave Door
- 6 Oven Modes including Steam Bake and Steam Roast
- Blue LED Illuminated Knobs
- Broil Element
- Smart Control Key (Oven)
- 6 Rack Positions (Oven)
- Drop-Down Door Design
- LCD Display

### Convenience

- Hidden Heating Element (Oven)
- Sabbath Mode (Oven)
- Delay Start (Oven)
- Proofing (Oven)
- Warming Mode (Oven)
- Kitchen Timer
- Child Safety Lock
- Convection Conversion

# NQ70M7770DS

**SAMSUNG**

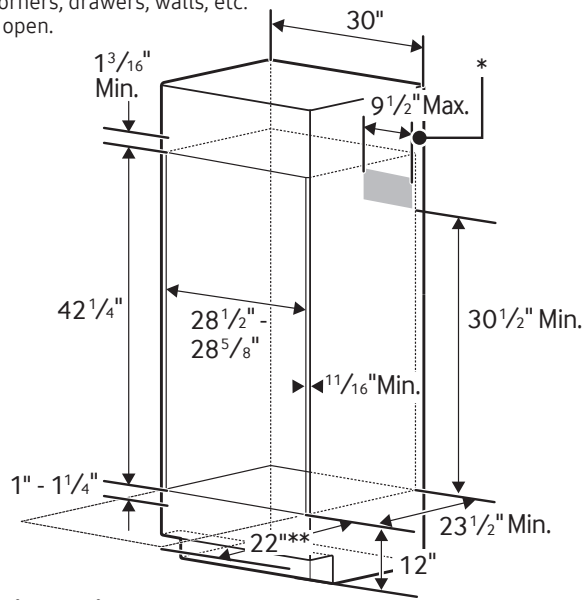
## 30" Microwave Combination Wall Oven

### Cabinet Dimensions

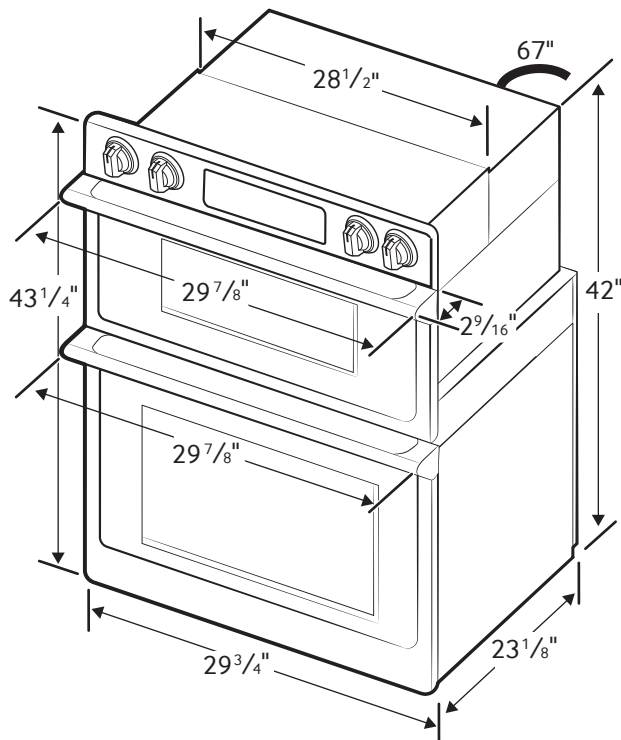
Combination Oven Installed in Cabinet

\* Junction Box

\*\*Allow a minimum of 22" for clearance to adjacent corners, drawers, walls, etc. when door is open.



### Product Dimensions



### Total Capacity: 1.9/5.1 cu. ft.

- Microwave: 1.9 cu. ft.
- Wall Oven: 5.1 cu. ft. total, 2.8/2.2 cu. ft.
- Hidden Bake Element
- Bake: 175°F–550°F
- Convection Bake: 175°F–550°F
- Convection Roast: 175°F–550°F
- Broil: Low-High
- Steam Bake: 230°F–550°F
- Steam Roast: 230°F–550°F
- Proofing
- Sabbath Mode

### Warranty

One (1) Year All Parts and Labor  
Ten (10) Years Parts Warranty for Magnetron

### Product Dimensions & Weight (WxHxD)

Outside (Max) Combination Oven Dimensions:  
29<sup>7</sup>/<sub>8</sub>" x 43<sup>1</sup>/<sub>4</sub>" x 25<sup>11</sup>/<sub>16</sub>"

Combination Oven Cut-Out Dimensions:  
28<sup>1</sup>/<sub>2</sub>" x 42<sup>1</sup>/<sub>4</sub>" x 23<sup>1</sup>/<sub>2</sub>"

Weight: 119 lbs.

### Shipping Dimensions & Weight (WxHxD)

Dimensions:  
33<sup>5</sup>/<sub>8</sub>" x 48<sup>3</sup>/<sub>16</sub>" x 29<sup>51</sup>/<sub>64</sub>"

Weight: 132.5 lbs.

### Color

Stainless Steel  
Black Stainless Steel

### Model #

NQ70M7770DS  
NQ70M7770DG

### UPC Code

887276195186  
887276195162

| RATING       |         |
|--------------|---------|
| 240V         | 9.5 kW  |
| 208V         | 7.2 kW  |
| BREAKER SIZE |         |
| 240V         | 40 Amps |
| 208V         | 40 Amps |