

RF265BEAESG

SAMSUNG

Samsung 24 cu. ft. Capacity French Door Refrigerator with Family Hub™



Signature Features

Food

- Use your voice to add items to your shopping lists.
- See inside from anywhere with 3 built-in cameras.

Family

- Sync calendars for all family activities and events.
- Remotely share photos, notes and memos.

Fun

- Stream music, mirror your Samsung TV or Samsung phone directly on your Family Hub™ screen.

Connect

- Simplify your life through the SmartThings app by controlling smart devices and appliances: set lights, adjust the thermostat or monitor your baby's room.

Available Colors



Stainless Steel



Fingerprint Resistant
Black Stainless Steel (shown)



Family Hub



Cool Select Pantry™

Features

- Twin Cooling Plus™
- Cool Select Pantry™
- Large Capacity – 24 cu. ft.
- Ice Master
- Auto Pull-Out Freezer Drawer
- High-Efficiency LED Lighting
- Fingerprint-Proof Coating
- Flat Panel for Built-In Look
- ENERGY STAR® Compliant

Convenience

- Door Alarm
- Water Filter Indicator
- Dispenser Lock
- Energy Saver

Rating



ENERGY STAR®-rated:
CEE Tier 1
720 kWh/yr

RF265BEAESG

SAMSUNG

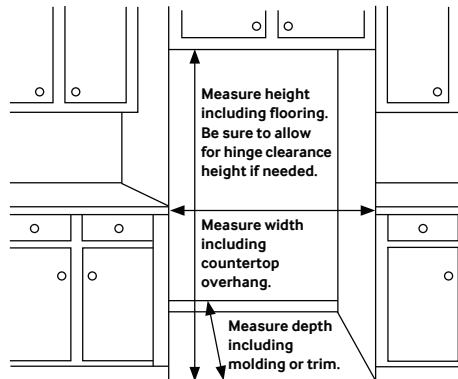
Samsung 24 cu. ft. Capacity French Door Refrigerator with Family Hub™

Installation Specifications

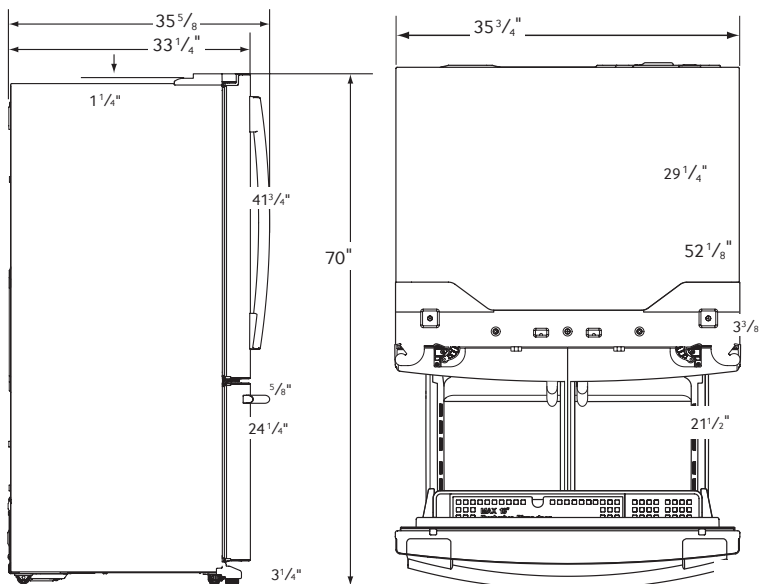
1. Measure the height, width and depth of the opening, making sure to include baseboards, molding tile, countertop overhang, etc. Check to be sure there is enough room to open the door (consider walls, islands or other obstacles when measuring).
2. Refer to illustration below to determine dimensions.
3. Allow 2.5" of clearance on hinge side of refrigerator when installing next to a wall where handle may make contact.
4. Allow 1" minimum clearance at rear for proper air circulation and water/electrical connections. Allow a 3/8" minimum clearance at sides and top for ease of installation.
5. Ensure each door and entryway in the home is wide enough for the refrigerator to be moved through easily.

For optimal usage and to be able to open refrigerator doors completely, do not install next to a wall.

Please note: The following dimension and cutout information is for planning purposes only. For complete installation details, consult manual packed with product, or download manual online at samsung.com.



Dimensions



Total Capacity: 24.2 cu. ft.

Refrigerator: 16.2 cu. ft.

- Premium External Filtered Water and Ice Dispenser (Crushed or Cubed Ice)
- High-Efficiency LED Lighting
- 2 Crispers
- 6 Tempered Glass Spill-Proof Shelves
 - 2 Slide-Out
 - 1 Slide-In
 - 1 Foldable Half
 - 2 Fixed
- 6 Door Bins
 - Right Door: 3 Gallon Bins
 - Left Door: 3 Regular Bins

Freezer: 8 cu. ft.

- 1 Drawer Divider
- High-Efficiency LED Lighting

Warranty

One (1) Year Parts and Labor on Refrigerator
Five (5) Years Parts and Labor on Sealed Refrigeration System Only*
Ten (10) Years Parts and Five (5) Years Labor on Digital Inverter Compressor

*Compressor, evaporator, condenser, drier and connecting tubing.

Product Dimensions & Weight

Dimensions (WxHxD with hinges, handles and doors):
35 3/4" x 70" x 35 5/8"

Dimensions (WxHxD without hinges and door):
35 3/4" x 68 5/8" x 29 1/4"

Dimensions (WxHxD with hinge and door, no handle):
35 3/4" x 70" x 33 1/4"

Weight: 302 lbs.

Shipping Dimensions & Weight (WxHxD)

Dimensions: 38 5/8" x 75 3/4" x 36 1/4"

Weight: 313.1 lbs.

Color

Stainless Steel
Fingerprint Resistant
Black Stainless Steel

Model

RF265BEAESR
RF265BEAESG

UPC Code

887276192352
887276213774