

NX58M6650WS

SAMSUNG

Samsung True Convection Freestanding Gas Range

5.8 cu. ft. Capacity



Signature Features

Steam Reheat

- Maintains your food's original flavor, texture and moisture.

Blue LED Illuminated Knobs

- Visually lets you know if your cooktop is on from a distance.

20K BTU Dual-Power Burner

- Two independent heating elements with power ranging from high heat to a true simmer.

Available Colors



Stainless Steel (shown)



Black Stainless Steel



Steam Reheat



Blue LED Illuminated Knobs

Features

- Steam Reheat
- Blue LED Illuminated Knobs
- Powerful, Flexible Cooktop – 5 Gas Burners
 - Right Front: 20K BTU Dual Ring
 - Left Front: 15K BTU
 - Right Rear: 5K BTU
 - Left Rear: 9.5K BTU
 - Center: 10K BTU (Oval)
- True Convection Oven
- Large Oven Capacity – 5.8 cu. ft.
- Touch Controls
- Wi-Fi Connectivity
- Griddle and Wok Grate
- Wide View Window
- Cast Iron 3-Piece Grates
- Warming Drawer

Convenience

- Self Clean
- 3 Easy Cook Presets
- 3 Chrome Oven Racks, including 1 Split Rack
- Auto Oven Light
- Proofing
- Sabbath Mode
- Kitchen Timer
- Delay Start
- Auto Shut-Off Option
- Child Safety Lock

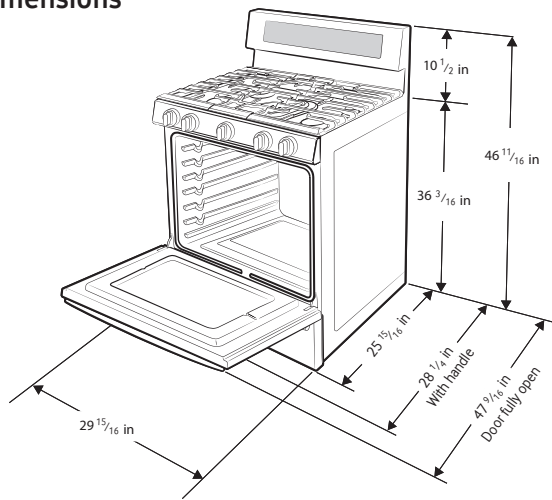
NX58M6650WS

SAMSUNG

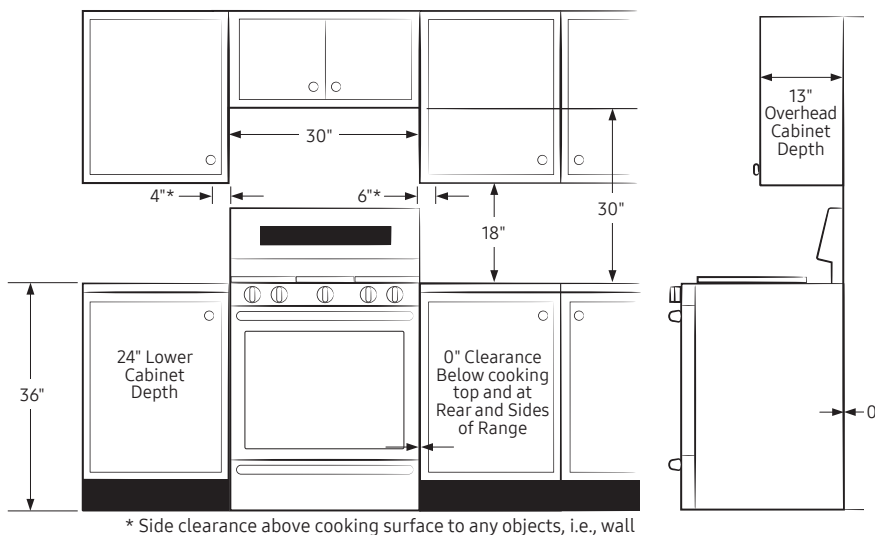
Samsung True Convection Freestanding Gas Range

5.8 cu. ft. Capacity

Product Dimensions



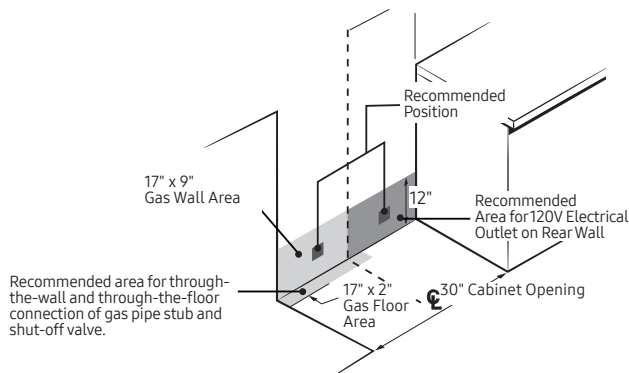
Installing Your Range



* Side clearance above cooking surface to any objects, i.e., wall

IMPORTANT: Consult with Installation Manual for detailed instructions before installing. All ranges must be installed with the Anti-Tip device that is included.

Recommended Locations for Gas Piping and Electrical Outlets



Total Power

59.5K BTU

Power Source

120V/60Hz/20A

Black Enamel 5-Burner Cooktop

- Right Front: 20K BTU
- Left Front: 15K BTU
- Right Rear: 5K BTU
- Left Rear: 9.5K BTU
- Center (Oval): 10K BTU

Oven: 5.8 cu. ft. Capacity

- Bake: 175°F–550°F
- Convection Bake: 175°F–550°F
- Bake Burner: 18K BTU
- Broil Burner: 13.5K BTU
- Variable Broil: Low/Hi (375°F–480°F)
- Convection Roast: 175°F–550°F
- Proofing
- Sabbath Mode

Warming Drawer

Capacity: 0.7 cu. ft.

Warranty

One (1) Year All Parts and Labor
Five (5) Years Gas Cooktop

Product Dimensions & Weight (WxHxD)

Actual Oven Dimensions:
25" x 19" x 21¹/₈"

Outside Net Dimensions:
29¹⁵/₁₆" x 46⁵/₈" x 25¹⁵/₁₆"

Weight: 218 lbs.

Shipping Dimensions & Weight (WxHxD)

Dimensions:
33¹/₁₆" x 50⁵/₈" x 30⁵/₁₆"

Weight: 247 lbs.

Color

Stainless Steel

Model

NX58M6650WS

UPC Code

887276226958

Black Stainless Steel

NX58M6650WG

887276239460